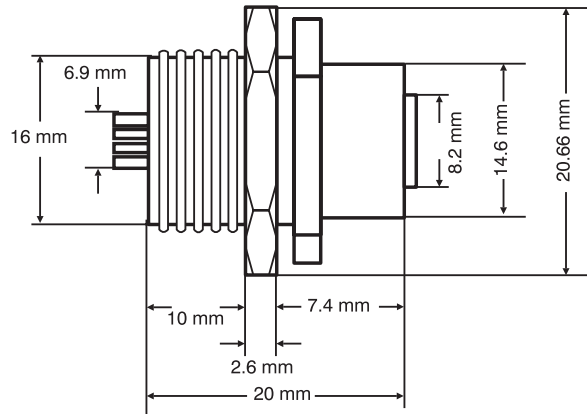


M12 FLANGE TYPE EURO CONNECTOR FOR SENSOR



TECHNICAL DETAILS

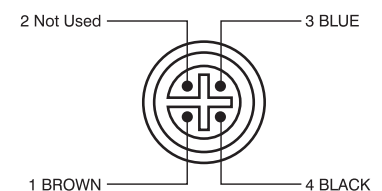
- | | |
|-------------------------|--------------------------------------|
| 1. Operating Voltage: | 10..... 30 V D.C. / 240 V A.C./ D.C. |
| 2. Operating Current | 3A |
| 3. Protection Class | IP68 |
| 4. Temperature Range | -25° C to +90° C |
| 5. Flange Housing | Cu Zn, Nickel Plated |
| 6. Contact Material | Cu Zn / Sn (Gold Plated) |
| 7. Mounting Thread | Compatible with PG9 |
| 8. Isolation Resistance | > 10 ⁹ ohm |

ORDERING CODE:

PART NO.:	DETAILS
PSCNFE12ST03L05C3NSDXX1	M12/EURO/STRAIGHT/4 POLE/LEAD TERMINATION

CONNECTION DETAILS:

	PIN NO.
BROWN	1
WHITE	2
BLUE	3
BLACK	4



Specifications are subject to change without notice.