

POWER SUPPLY RELAY UNIT

12/24 V dc

ELECTRICAL DATA:

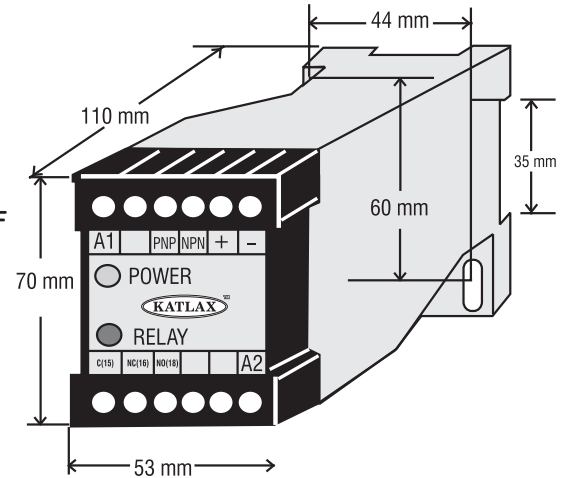
- SUPPLY VOLTAGE 240V ~ ... 110V ~ ... / 50Hz +/- 10%
- SUPPLY VA RATING 3.5VA

Control Circuit

- DC OPERATING VOLTAGE 12VDC OR 24VDC +/- 0.4V
- LOAD CURRENT MAXIMUM 250mA.....12V 120mA..24V
- SWITCHING FUNCTION RELAY ENERGISED...Px. Sw. **ON**
RELAY DE-ENERGISED....Px. Sw. **OFF**

Outputs

- MAXIMUM CONTACT RATING AC 250V/4A
- CONTACTS SPDT
- CONTINUOUS CURRENT RATING 5A RESISTIVE AT 230V
DC11 DUTY 1.25A @ <= 24VDC
AC11 DUTTY ~ 0.2A @ 220V
1.5A @ <= 230V~
- INDICATION FOR POWER ON & RELAY ON



MECHANICAL DATA:

- HOUSING ABS PLASTIC ENCLOSURE
DESIGNED FOR **IP 54** WITH
TERMINAL COVER
PANEL MOUNTING PROVISION
- MOUNTING **DIN STANDARD 50022**OR
WITH HOLES FOR SCREW
FIXING FOR POWER ON &
RELAY ON
TERMINAL COMPARTMENT
- TERMINATION FOR MAXIMUM CROSS-
SECTIONAL AREA = 1X 2.5 Sq.mm.

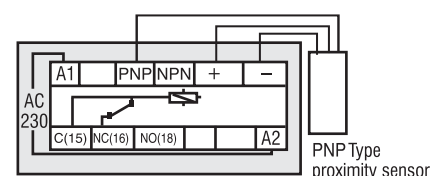
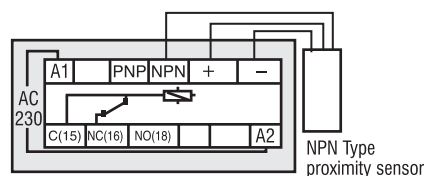
ORDERING CODE:

TYPE

PRA110ARU241C5A	110V~/24VDC
PRA110ARU121C5A	110V~/12VDC
PRA240ARU241C5A	240V~/24VDC
PRA240ARU121C5A	240V~/12VDC
PRA110ARU242C5A	110V~/24VDC
PRA240ARU122C5A	240V~/12VDC

CONNECTION DETAILS:

- A1 - A2** SUPPLY VOLTAGE
- 15-16-18 (C-NC-NO)** OUTPUT 1 CHANGEOVER CONTACTS
- +** BROWN- PROXIMITY SWITCH
- BLUE - PROXIMITY SWITCH
- 1(R1)** SIGNAL PNP PX. (**Short R2 & -**)
- 2(R2)** SIGNAL NPN PX. (**Short R1 & +**)



Specifications are subject to change without notice.