

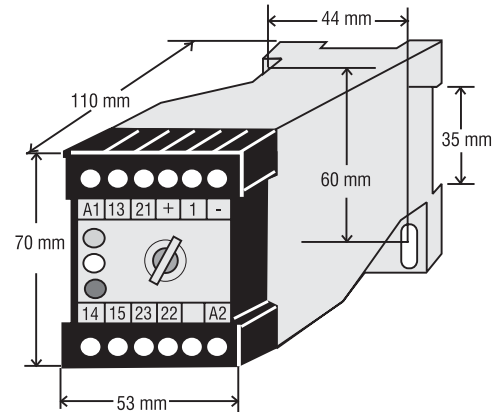
## UNDERSPEED RELAY UNIT

1.....4 RPM

600....1500 RPM

### ELECTRICAL DATA:

- SUPPLY VOLTAGE 240V~ ... 110V~ ... / 50Hz +/-10%
- SUPPLY VA RATING 2.5VA



### OPERATIONAL DATA:

- ANGULAR SPEED RANGE\*\*  
A: 1.....4RPM  
B: 600....1500RPM
- ACTUATION DIFFERENTIAL <5% OF SET VALUE
- NO. OF FLAGS REQUIRED 8 NOS..A 1NOS...B
- AMB. TEMPRATURE RANGE 0 °C .... 55 °C
- TYPE OF PROXIMITY SWITCH/SENSOR PNP TYPE NO OR NC
- FUNCTION RPM < SET PT.....RELAY ON  
RPM > SET PT.....RELAY OFF

### ORDERING CODE: TYPE

- PRA240USR242C6AA 240V~/ 1--4 RPM/2 (C- NO - NC)6A  
 PRA240USR242C6AB 240V~/600..1500RPM/2 (C-NO-NC) 6A  
 PRA110USR242C6AA 110V~/ 1-- 4 RPM/2 (C- NO - NC)6A  
 PRA110USR242C6AB 110V~/600..1500RPM/2 (C-NO-NC)6A

### Outputs

- OUTPUT CONTACTS 2NO + 2NC (DPDT)
- CONTACT RATING 240V~/6A/0.7 Power Factor
- INDICATION POWER 'On'  
PROXIMITY SWITCH 'On'  
RELAY `On'



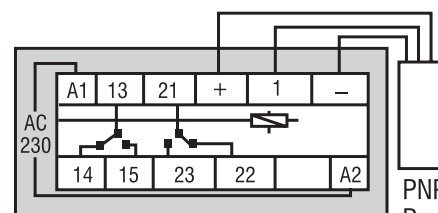
### MECHANICAL DATA:

- HOUSING ABS PLASTIC ENCLOSURE DESIGNED FOR IP 54 WITH TERMINAL COVER
- MOUNTING PANEL MOUNTING PROVISION ON 35mm RAIL AS PER DIN STANDARD 50022 OR WITH SCREW FIXING HOLES FOR WALL MOUNTING
- TERMINATION TERMINAL COMPARTMENT FOR MAXIMUM CROSS-SECTIONAL AREA=1X 2.5 Sq.mm.

**\*\* Please contact factory for other RPM Ranges. and also for OVERSPEED Relay Unit.**

### CONNECTION DETAILS:

- A1 - A2 SUPPLY VOLTAGE  
 13-14-15 (C1-NC1-NO1) CHANGEOVER CONTACTS NO 1.  
 21-22-23 (C2-NC2-NO2) CHANGEOVER CONTACT NO 2  
 + BROWN- PROXIMITY SWITCH  
 - BLUE - PROXIMITY SWITCH  
 1(R2) SIGNAL - PNP PX



PNP- NO OR NC Proximity Sensor

Specifications are subject to change without notice.