

STAR-DELTA RELAY UNIT

ELECTRICAL DATA:

1. SUPPLY VOLTAGE 230VAC +/- 20% 50Hz

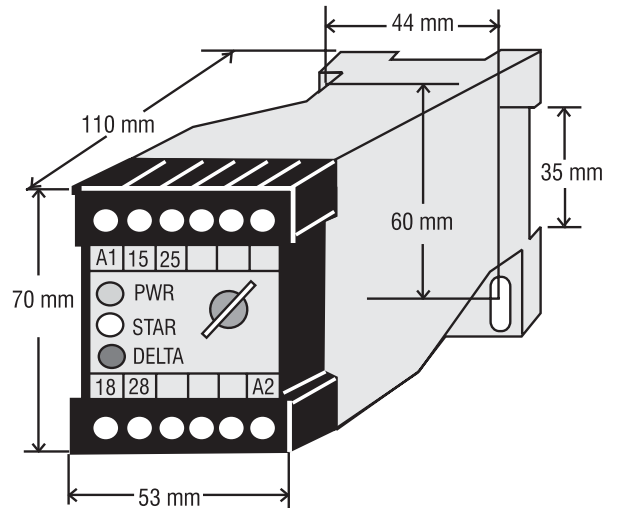
Control Circuit:

2. STAR ON TIME Adjustable Upto 100 SEC.

3. STAR -DELTA TRANSFER TIME 0.1 SEC.

Outputs

4. OUT1 @ 15-18 FOR STAR CONTACT
 5. OUT2 @ 25-28 FOR DELTA CONTACT
 6. CONTINUOUS CURRENT RATING 5A RESISTIVE AT 230V ~
 DC11 DUTY 1.25A @ <=24VDC
 AC11 DUTY 1.5A @ <=230V ~
 0.2A @ 220V



MECHANICAL DATA:

7. HOUSING ABS PLASTIC ENCLOSURE DESIGNED FOR **IP 54** WITH TERMINAL COVER
 8. MOUNTING PANEL MOUNTING PROVISION ON 35mm RAIL AS PER **DIN STANDARD 50022** OR WITH HOLES FOR SCREW FIXING
 9. TERMINATION TERMINAL COMPARTMENT FOR MAXIMUM CROSS-SECTIONAL AREA=1X 2.5 Sq.mm.

ORDERING CODE:

PRA230SDRXX2C5A

TYPE

230VAC/2NO STAR+DELTA

CONNECTION DETAILS:

A1 - A2 SUPPLY VOLTAGE
 15-18 STAR RELAY NO CONTACT
 25-28 DELTA RELAY NO CONTACT



Specifications are subject to change without notice.