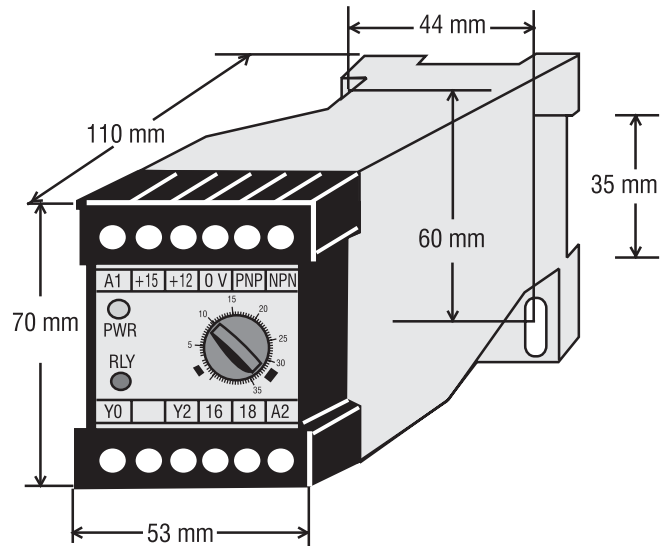


ON - OFF DELAY TIMER WITH RELAY UNIT.

ELECTRICAL DATA:

- | | |
|---------------------------|---------------------------------------|
| 1. SUPPLY VOLTAGE | 230 V AC . 50 Hz |
| 2. POWER CONSUMPTION | 4 VA |
| Control Circuit: | |
| 3. ON/OFF DELAY | 30 Secs (Max)
ADJUSTABLE. |
| 4. O/P VOLTAGE FOR SENSOR | 24V DC, 50mA |
| 5. OUTPUT | 1 C / O, CONTACT
RATED 7A @ 250VAC |



MECHANICAL DATA:

- | | |
|----------------|---|
| 6. HOUSING | ABS PLASTIC ENCLOSURE
DESIGNED FOR IP 54 WITH
TERMINAL COVER. |
| 7. MOUNTING | PANEL MOUNTING
PROVISION ON 35 mm RAIL
AS PER DIN 50022 OR
WITH SCREW FIXING HOLES
FOR WALL MOUNTING. |
| 8. TERMINATION | TERMINAL COMPARTMENT
FOR MAXIMUM CROSS-SECTIONAL
AREA=1X 2.5 Sq.mm. |

ORDERING CODE:

TYPE

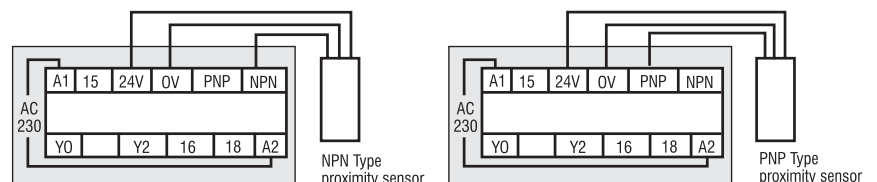
PRA230DTUXX1C5A 230V AC ON/OFF
DELAY TIMER.

CONNECTION DETAILS:

- | | |
|----------------|---|
| A1 - A2 | SUPPLY VOLTAGE |
| 24V/0V/NPN/PNP | TO NPN / PNP SENSOR* |
| OUTPUT | 15-COM / 16-NC / 18-NO |
| YO / Y2 | TO BE SHORTED - FOR ON DELAY SELECTION
TO BE KEPT OPEN - FOR OFF DELAY SELECTION |



*Any one type of sensor to be connected at a time.



Specifications are subject to change without notice.