

## NAMUR AMPLIFIER RELAY UNIT with ZENER BARRIER



### ELECTRICAL DATA:

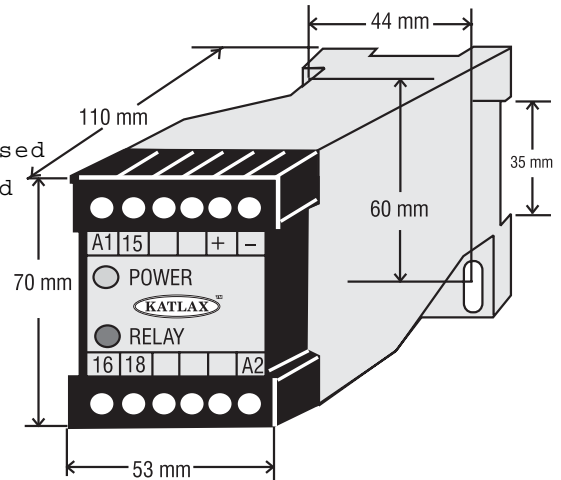
- SUPPLY VOLTAGE 12/24/48 VDC & 110V~/240V~/50Hz +/-10%
- POWER CONSUMPTION 2.5VA

### Control Circuit

- SENSOR SUPPLY\*\* 8.2±0.3V approx
- SHORT CIRCUIT CURRENT <10mA
- SWITCHING RANGE 2.5mA>IS Relay Deenergised
- SIGNAL CURRENT 2.5mA<IS Relay Energised

### Output (non-interinsically safe)

- RELAY OUTPUT CONTACT RATING AC 250V/4A
- CONTACTS SPDT
- CONTINUOUS CURRENT RATING 5A RESISTIVE @ 230 V~
- DC11 DUTY 1.25A @<=24VDC
- AC11 DUTY 0.2A @ 220V
- 1.5A @<=230V~



### MECHANICAL DATA:

- HOUSING ABS PLASTIC ENCLOSURE DESIGNED FOR **IP 54** WITH TERMINAL COVER
- MOUNTING PANEL MOUNTING PROVISION ON 35mm RAIL AS PER **DIN STANDARD 50022** OR WITH HOLES FOR SCREW FIXING
- TERMINATION TERMINAL COMPARTMENT FOR MAXIMUM CROSS-SECTIONAL AREA=1X 2.5 Sq.mm.

### ORDERING CODE: TYPE

- |                 |                |
|-----------------|----------------|
| PRA110NRU821C5A | 110V~ /C-NO-NC |
| PRA240NRU821C5A | 240V~ /C-NO-NC |
| PRD012NRU821C5A | 12VDC /C-NO-NC |
| PRD024NRU821C5A | 24VDC/C-NO-NC  |
| PRD048NRU821C5A | 48VDC/C-NO-NC  |

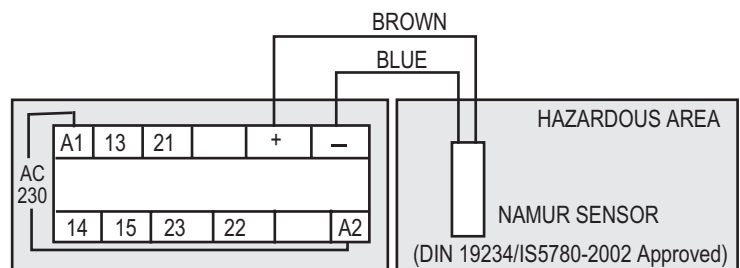


### CONNECTION DETAILS:

- A1 - A2 SUPPLY VOLTAGE  
 15-16-18 (C-NC-NO) OUTPUT 1 CHANGEOVER CONTACTS  
 + BROWN- NAMUR SENSOR  
 - BLUE - NAMUR SENSOR

\*( For Intrinsically Safe NAMUR Sensor  
 DIN19234 / IS5780 - 2002 Approved.)

NOTE:- SENSOR SUPPLY IS ROUTED  
 THROUGH 10V/100E ,1W  
 ZENER BARRIER



Specifications are subject to change without notice.