

M18 DC IND.CONNECTOR TYPE PROXIMITY SWITCH / SENSOR

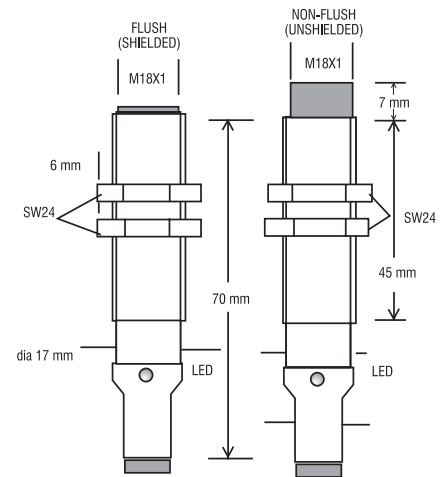
**5mm/8mm
FLUSH / NONFLUSH**

OPERATIONAL DATA:

- | | |
|--|-------------------------------|
| 1. MOUNTING IN METAL | FLUSH / NON-FLUSH |
| 2. SENSING DISTANCE
with Fe/ST37 -18mmX18mmX1mm | 5mm (FLUSH) / 8mm (NON-FLUSH) |
| 3. HYSTERESIS | 3% TO 15% |
| 4. REPEATABILITY | 0.01mm |
| 5. TEMPERATURE DRIFT | < 10% |
| 6. AMB. TEMP. RANGE | 0 DEG.C. TO 70 DEG.C. |

ELECTRICAL DATA:

- | | |
|----------------------------|-------------------------|
| 7. OPERATING VOLTAGE | 10 V TO 30 VDC |
| 8. CURRENT CONSUMPTION | < 20 mA |
| 9. DROPOUT VOLTAGE | < 1V @ max load current |
| 10. SWITCHING FREQUENCY | 800 Hz |
| 11. LOAD CURRENT (MAXIMUM) | 200mA / 400mA |



MECHANICAL DATA:

- | | |
|-----------------|--|
| 12. HOUSING | M18 X 1mm THREADED BRASS
BARREL Ni-CHROME PLATED |
| 13. MOUNTING | 18 mm THRU HOLE FIXING BY
M18 X1mm TAPPED PAIR
OF NUTS |
| 14. TERMINATION | M12 Plug Connector |

ORDERING CODE: TYPE

- | | |
|-------------------|-----------------------|
| PSIBB18PAFOCN12RS | PNP/NO/200mA/FLUSH |
| PSIBB18PAFCCN12RS | PNP/NC/200mA/FLUSH |
| PSIBB18PBFOCN12RS | PNP/NO/400mA/FLUSH |
| PSIBB18PBFCCN12RS | PNP/NC/400mA/FLUSH |
| PSIBB18PANOCN12RS | PNP/NO/200mA/NONFLUSH |
| PSIBB18PANCCN12RS | PNP/NC/200mA/NONFLUSH |
| PSIBB18PBNOCN12RS | PNP/NO/400mA/NONFLUSH |
| PSIBB18PBNCCN12RS | PNP/NC/400mA/NONFLUSH |
| PSIBB18NAFOCN12RS | NPN/NO/ 200mA/FLUSH |
| PSIBB18NAFCCN12RS | NPN/NC/ 200mA/FLUSH |
| PSIBB18NBFOCN12RS | NPN/NO/400mA/FLUSH |
| PSIBB18NBFCCN12RS | NPN/NC/400mA/FLUSH |
| PSIBB18NANOCN12RS | NPN/NO/200mA/NONFLUSH |
| PSIBB18NANCCN12RS | NPN/NC/200mA/NONFLUSH |
| PSIBB18NBNOCN12RS | NPN/NO/400mA/NONFLUSH |
| PSIBB18NBNCCN12RS | NPN/NC/400mA/NONFLUSH |

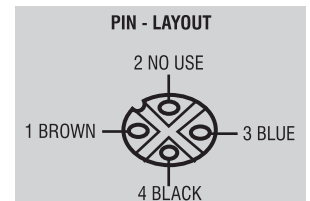


PROTECTION FEATURES:

- | | |
|-----------------------|--|
| 15. ENVIRONMENTAL | IP67 (tested & certified by CMRI, Dhanbad.) |
| 16. POLARITY REVERSAL | YES |
| 17. OUTPUT | AGAINST INDEFINITE SHORT CIRCUIT |

CONNECTION DETAILS:

PIN NO OF MALE CONNECTOR	COLOUR CODE
1 (+Ve)	BROWN
2 (N.U)	NOT USED
3 (-Ve)	BLUE
4 (OUTPUT)	BLACK



* please contact factory for different barrel lengths.
Specifications are subject to change without notice.

