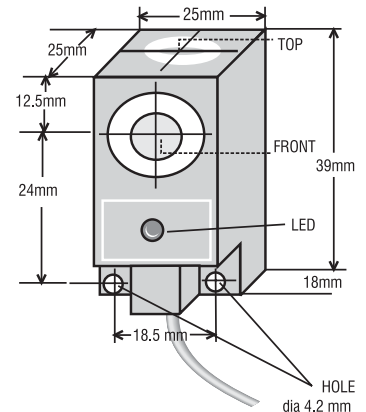


25 BLOCK TYPE DC INDUCTIVE PROXIMITY SWITCH/SENSOR

**10mm
SHIELDED**

OPERATIONAL DATA:

- | | |
|---|-----------------------|
| 1. MOUNTING IN METAL | SHIELDED |
| 2. SENSING DISTANCE
with Fe/ST37-25x25x1mm | 10mm |
| 3. HYSTERESIS | 3% TO 15% |
| 4. REPEATABILITY | 0.01mm |
| 5. TEMPERATURE DRIFT | < 10% |
| 6. AMB. TEMP. RANGE | 0 DEG.C. TO 70 DEG.C. |



ELECTRICAL DATA:

- | | |
|----------------------------|-------------------------|
| 7. OPERATING VOLTAGE | 10 V TO 30 VDC |
| 8. CURRENT CONSUMPTION | < 20 mA |
| 9. DROPOUT VOLTAGE | < 1V @ max load current |
| 10. SWITCHING FREQUENCY | 600 Hz |
| 11. LOAD CURRENT (MAXIMUM) | 200mA / 400mA |

ORDERING CODE: TYPE

- | | |
|--------------------|--------------------|
| PSIBL25PAFOCB02RS | PNP/200mA/FRONT/NO |
| PSIBL25PAFCCB02RS | PNP/200mA/FRONT/NC |
| PSIBL25NAFOCB02RS | NPN/200mA/FRONT/NO |
| PSIBL25NAFCCB02RS | NPN/200mA/FRONT/NC |
| PSIBL25PATOCB02RS | PNP/200mA/TOP/NO |
| PSIBL25PATCCB02RS | PNP/200mA/TOP/NC |
| PSIBL25NATOCB02RS | NPN/200mA/TOP/NO |
| PSIBL25NATCCB02RS | NPN/200mA/TOP/NC |
| PSIBL25PBFOCB02RS | PNP/400mA/FRONT/NO |
| PSIBL25PBFCCB02RS | PNP/400mA/FRONT/NC |
| PSIBL25NBFOCB02RS | NPN/400mA/FRONT/NO |
| PSIBL25NBFCCB02RS | NPN/400mA/FRONT/NC |
| PSIBL25PBTOCB02RS | PNP/400mA/TOP/NO |
| PSIBL25PBTCCB02RS | PNP/400mA/TOP/NC |
| PSIBL25NBTOCB02RS | NPN/400mA/TOP/NO |
| PSIBL25NBTTCCB02RS | NPN/400mA/TOP/NC |

MECHANICAL DATA:

- | | |
|-----------------|---|
| 12. HOUSING | ABS ENCLOSURE
25mmX25mmX39mm |
| 13. MOUNTING | Dia 4.2mm PAIR OF HOLES
18.5mm PCD FOR
WALL MOUNTING. |
| 14. TERMINATION | Cu CABLE PVC INSULATED 3X0.34 Sq.mm. |

* please contact factory for different Cable lengths. Std length is 3m.

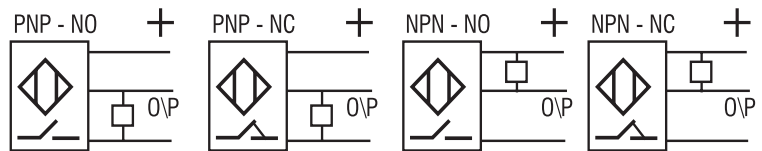


PROTECTION FEATURES:

- | | |
|-----------------------|--|
| 15. ENVIRONMENTAL | IP67 (tested & certified by CMRI, Dhanbad.) |
| 16. POLARITY REVERSAL | YES |
| 17. OUTPUT | AGAINST INDEFINITE SHORT CIRCUIT |

CONNECTION DETAILS:

- | | |
|-------|--------|
| BROWN | +V |
| BLACK | OUTPUT |
| BLUE | 0 V |



Specifications are subject to change without notice.