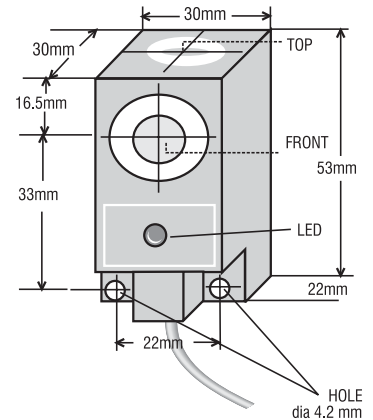


## 30 BLOCK TYPE DC INDUCTIVE PROXIMITY SWITCH/SENSOR

**10mm  
SHIELDED**

### OPERATIONAL DATA:

1. MOUNTING IN METAL	SHIELDED
2. SENSING DISTANCE with Fe/ST37-30x30x1mm	10mm
3. HYSTERESIS	3% TO 15%
4. REPEATABILITY	0.01mm
5. TEMPERATURE DRIFT	<10%
6. AMB. TEMP. RANGE	0 DEG.C. TO 70 DEG.C.



### ELECTRICAL DATA:

7. OPERATING VOLTAGE	10 V TO 30 VDC
8. CURRENT CONSUMPTION	< 20 mA
9. DROPOUT VOLTAGE	< 1V @ max load current
10. SWITCHING FREQUENCY	500 Hz
11. LOAD CURRENT (MAXIMUM)	200mA / 400mA

### ORDERING CODE: TYPE

PSIBL30PAFOCB02RS	PNP/200mA/FRONT/NO
PSIBL30PAFCCB02RS	PNP/200mA/FRONT/NC
PSIBL30NAFOCB02RS	NPN/200mA/FRONT/NO
PSIBL30NAFCCB02RS	NPN/200mA/FRONT/NC
PSIBL30PATOCB02RS	PNP/200mA/TOP/NO
PSIBL30PATCCB02RS	PNP/200mA/TOP/NC
PSIBL30NATOCB02RS	NPN/200mA/TOP/NO
PSIBL30NATCCB02RS	NPN/200mA/TOP/NC
PSIBL30PBFOCB02RS	PNP/400mA/FRONT/NO
PSIBL30PBFCCB02RS	PNP/400mA/FRONT/NC
PSIBL30NBFOCB02RS	NPN/400mA/FRONT/NO
PSIBL30NBFCCB02RS	NPN/400mA/FRONT/NC
PSIBL30PBTOCB02RS	PNP/400mA/TOP/NO
PSIBL30PBTCCB02RS	PNP/400mA/TOP/NC
PSIBL30NBTOCB02RS	NPN/400mA/TOP/NO
PSIBL30NBTCCB02RS	NPN/400mA/TOP/NC

### MECHANICAL DATA:

12. HOUSING	ABS ENCLOSURE 30mmX30mmx53mm
13. MOUNTING	Dia 4.2mm PAIR OF HOLES 22mm PCD FOR WALL MOUNTING.
14. TERMINATION	Cu CABLE PVC INSULATED 3X0.34 Sq.mm.

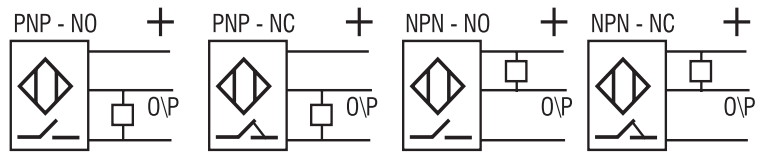
**\* please contact factory for different  
Cable lengths. Std length is 2m.**

### PROTECTION FEATURES:

15. ENVIRONMENTAL	<b>IP67</b> (tested & certified by CMRI, Dhanbad.)
16. POLARITY REVERSAL	YES
17. OUTPUT	AGAINST INDEFINITE SHORT CIRCUIT

### CONNECTION DETAILS:

BROWN	+V
BLACK	OUTPUT
BLUE	0 V



Specifications are subject to change without notice.