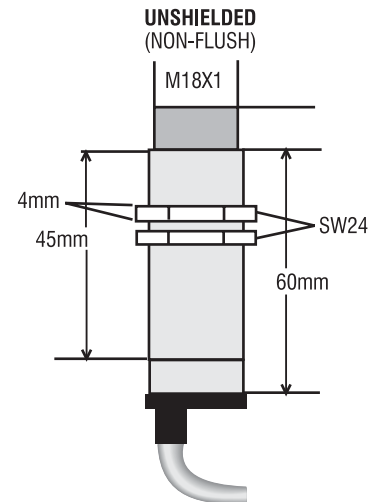


## M18 ANALOGUE INDUCTIVE PROXIMITY SWITCH/SENSOR (VOLTAGE TYPE)

2.....7mm  
UNSHIELDED

### OPERATIONAL DATA

1. MOUNTING IN METAL	UNSHIELDED
2. SENSING DISTANCE With Fe/ST - 18mm X 18mm X 1mm	2.....7mm
3. HYSTERESIS	3 TO 15 %
4. LINEARITY ERROR	3 %
5. REPEATABILITY	0.02 mm
6. TEMPERATURE DRIFT	<4% over operating range
7. AMB. TEMP. RANGE	0 DEG. TO 70 DEG. C.



### ELECTRICAL DATA:

8. OPERATING VOLTAGE	15 V DC
9. CURRENT CONSUMPTION	<15 mA
10. FREQUENCY RESPONSE	1 KHz
11. OUTPUT	0.....10 V OVER FULL RANGE
12. OUTPUT TYPE	ANALOGUE
13. LOAD RESISTANCE	> = 4 k 7 Ohm

### ORDERING CODE: TYPE

PSIBB18ANFVCB02RS M18/ANALOG/  
NONFLUSH/2...7mm

### MECHANICAL DATA:

14. HOUSING	M18 X 1 mm THREADED BRASS BARREL Ni-CHROME PLATED
15. MOUNTING	18 mm THRU HOLE FIXING BY M18 X 1 mm TAPPED PAIR OF NUTS
16. TERMINATION	Cu CABLE PVC INSULATED 3 X 0.34 Sq. mm

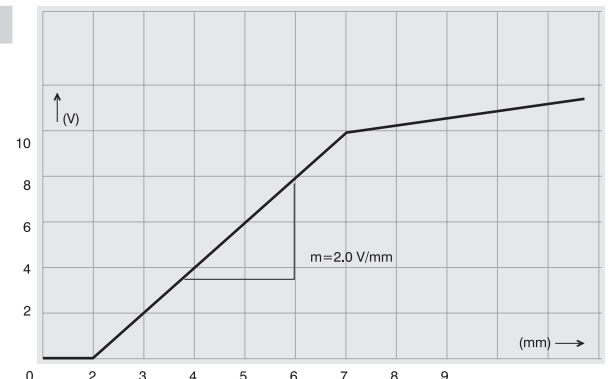
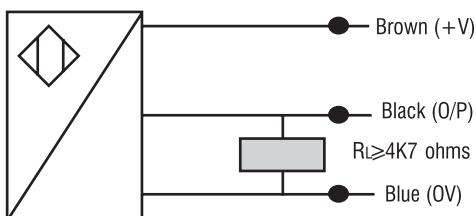


### PROTECTION FEATURES:

17. ENVIRONMENTAL	IP67
18. POLARITY REVERSAL	YES

### CONNECTION DETAILS:

BROWN	+ V
BLACK	ANALOGUE O/P
BLUE	0 V



Specifications are subject to change without notice.