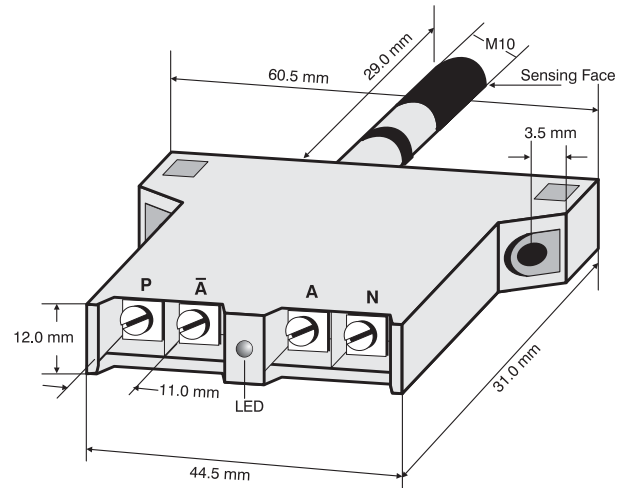


10 FLAT TYPE DC INDUCTIVE COMPLEMENTARY PROXIMITY SWITCH/SENSOR

2mm
FLUSH

OPERATIONAL DATA

1. MOUNTING IN METAL	FLUSH
2. SENSING DISTANCE With Fe/ST - 12mm X 12mm X 1mm	2 mm (FLUSH)
3. HYSTERESIS	3 % TO 15 %
4. REPEATABILITY	0.01 mm
5. TEMPERATURE DRIFT	< 10%
6. AMB. TEMP. RANGE	0 DEG. TO 70 DEG. C.



ELECTRICAL DATA:

7. OPERATING VOLTAGE	10 V TO 30 VDC
8. CURRENT CONSUMPTION	< 20 mA
9. DROPOUT VOLTAGE	< 1V @ max load current
10. SWITCHING FREQUENCY	1.5 kHz
11. LOAD CURRENT (MAXIMUM)	200 mA
12. OUTPUT TYPE	PNP OR NPN complimentary, NO + NC

ORDERING CODE:

TYPE

PSIFT10PAFDCLXXRS	10FLAT/PNP/200mA /NO + NC
PSIFT10NAFDCLXXRS	10FLAT/NPN/200mA /NO + NC
PSIFT10Pbfdclxxrs	10FLAT/PNP/400mA /NO + NC
PSIFT10NBfdclxxrs	10FLAT/NPN/400mA /NO + NC

MECHANICAL DATA:

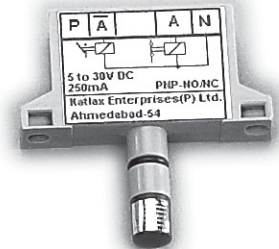
13. HOUSING	ABS ENCLOSURE 60.5mmX12mmX31mm
14. MOUNTING	Dia. 8 mm PAIR OF HOLES 53 mm PCD FOR WALL MOUNTING
15. TERMINATION	Through Terminal

PROTECTION FEATURES:

16. ENVIRONMENTAL	IP67 (tested and certified by CMRI, Dhanbad)
17. POLARITY REVERSAL	YES
18. OUTPUT	AGAINST INDEFINITE SHORT CIRCUIT

CONNECTION DETAILS:

P	+ V
\bar{A}	NO
N	0 V
A	NC



Recommended for the application subject to manufacturer's change time to time

** please contact factory for different barrel lengths
Specifications are subject to change without notice.

