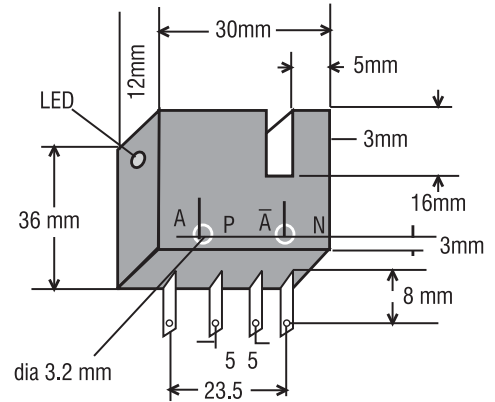


12SLOT TYPE DC INDUCTIVE PROXIMITY SWITCH/SENSOR

**3mm
SLOT-WIDTH**

OPERATIONAL DATA:

- | | |
|--|-----------------------|
| 1. INSTALLATION IN METAL | NON-FLUSH |
| 2. WIDTH OF SLOT | 3mm |
| 3. HYSTERESIS | 0.2mm |
| 4. REPEATABILITY | 0.01mm |
| 5. TEMPERATURE DRIFT | < 10% |
| 6. AMB. TEMP. RANGE | 0 DEG.C. TO 70 DEG.C. |
| 7. SWITCHING POINT
with Fe ST37 PLATE 7X7X0.1mm | 60% insertion depth |



ELECTRICAL DATA:

- | | |
|----------------------------|-------------------------|
| 8. CURRENT CONSUMPTION | < 20mA |
| 9. DROPOUT VOLTAGE | < 1V @ max load current |
| 10. SWITCHING FREQUENCY | 1.5 KHz |
| 11. OUTPUT TYPE | PNP/NPN COMPLIMENTRY |
| 12. LOAD CURRENT (MAXIMUM) | 200 mA(max) |
| 13. INDICATION | LED FOR NC ON |

ORDERING CODE:

TYPE

- | | |
|-------------------|-----------------------------------|
| PSIST12PANDCL36RS | PNP/200mA/NONFLUSH / COMPLIMENTRY |
| PSIST12NANDCL36RS | NPN/200mA/NONFLUSH / COMPLIMENTRY |

MECHANICAL DATA:

- | | |
|-----------------|--|
| 14. HOUSING | ABS PLASTIC BODY SIZE
36mm X 30mm X 12mm |
| 15. MOUNTING | Dia 3.2mm PAIR OF DIGONALLY
PLACED HOLES 12.5mm APART |
| 16. TERMINATION | BRASS Ni-CHROME PLATED SPADE
TERMINALS 3mmX6mm |

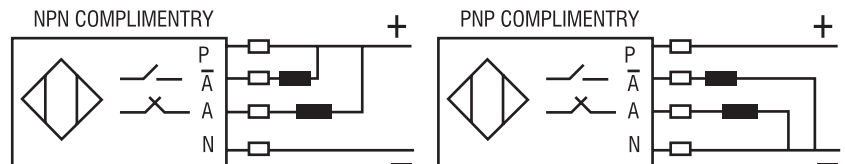


PROTECTION FEATURES:

- | | |
|-----------------------|----------------------------------|
| 17. ENVIRONMENTAL | IP67 |
| 18. POLARITY REVERSAL | YES |
| 19. OUTPUT | AGAINST INDEFINITE SHORT CIRCUIT |

CONNECTION DETAILS:

- | | |
|-----------|------|
| P | (+V) |
| \bar{A} | (NO) |
| N | (OV) |
| A | (NC) |



Specifications are subject to change without notice.