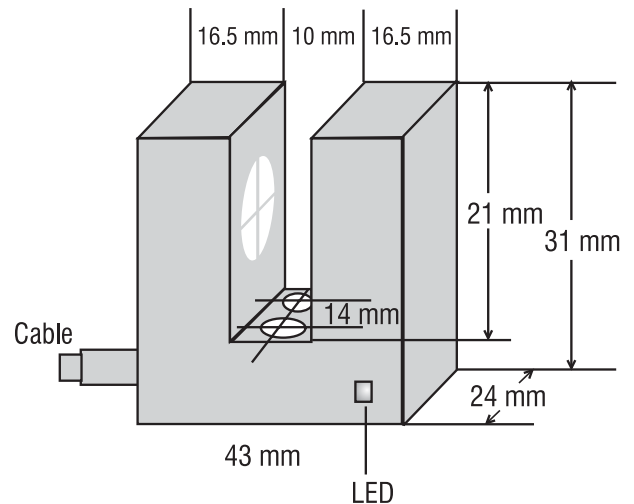


18 SLOT TYPE DC INDUCTIVE PROXIMITY SWITCH/SENSOR

**SLOT WIDTH 10mm
UNSHIELDED**

OPERATIONAL DATA:

1. INSTALLATION IN METAL	UNSHIELDED
2. DIMENSIONS OF SLOT	10mmX21mm
3. HYSTERESIS	3% TO 15%
4. REPEATABILITY	0.01mm
5. TEMPERATURE DRIFT	<10%
6. AMB. TEMP. RANGE	0 DEG.C. TO 70 DEG.C.
7. SWITCHING POINT with Fe-ST37 plate(18x18x1)mm	60% Insertion Depth.



ELECTRICAL DATA:

8. OPERATING VOLTAGE	10 V TO 30 VDC
9. CURRENT CONSUMPTION	< 20 mA
10. DROPOUT VOLTAGE	<= 1V@max. Load Current
11. SWITCHING FREQUENCY	800 Hz
12. LOAD CURRENT (MAXIMUM)	200 mA/400 mA

ORDERING CODE: TYPE

PSIST18PANOCB02RS	PNP/200mA/NONFLUSH/NO
PSIST18PANCCB02RS	PNP/200mA/NONFLUSH/NC
PSIST18NANOCB02RS	NPN/200mA/NONFLUSH/NO
PSIST18NANCCB02RS	NPN/200mA/NONFLUSH/NC
PSIST18PBNOCB02RS	PNP/400mA/NONFLUSH/NO
PSIST18PBNCCB02RS	PNP/400mA/NONFLUSH/NC
PSIST18NBNOCB02RS	NPN/400mA/NONFLUSH/NO
PSIST18NBNCCB02RS	NPN/400mA/NONFLUSH/NC

MECHANICAL DATA:

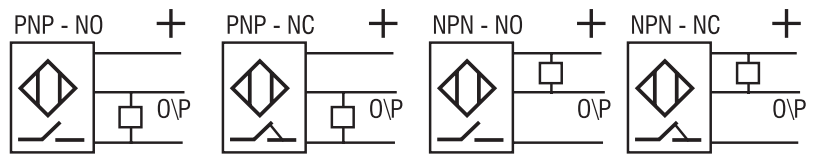
13. HOUSING	ABS PLASTIC BODY SIZE 43mmX24mmX31mm.
14. MOUNTING	Dia 4mm PAIR OF HOLES FOR WALL MOUNTING 14mm APART.
15. TERMINATION	Cu CABLE PVC INSULATED 3X0.75 Sq.mm-2m LENGTH.

PROTECTION FEATURES:

16. ENVIRONMENTAL	IP67
17. POLARITY REVERSAL	YES
18. OUTPUT	AGAINST INDEFINITE SHORT CIRCUIT

CONNECTION DETAILS:

BROWN	+V
BLACK	OUTPUT
BLUE	OV



Specifications are subject to change without notice.