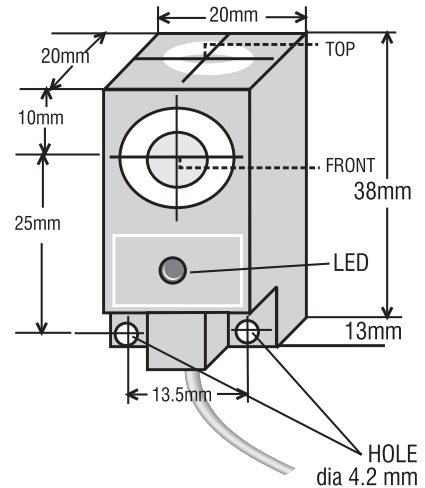


22 BLOCK TYPE AC INDUCTIVE PROXIMITY SWITCH/SENSOR

**8mm
SHIELDED**

OPERATIONAL DATA

- | | |
|----------------------------|----------------------|
| 1. MOUNTING IN METAL | SHIELDED |
| 2. SENSING DISTANCE | 8 mm (SHIELDED) |
| With Fe/ST - 22mmX22mmX1mm | |
| 3. HYSTERESIS | 3 % TO 15 % |
| 4. REPEATABILITY | 0.01 mm |
| 5. TEMPERATURE DRIFT | < 10% |
| 6. AMB. TEMP. RANGE | 0 DEG. TO 70 DEG. C. |



ELECTRICAL DATA:

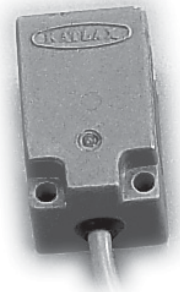
- | | |
|----------------------------|----------------------------|
| 7. OPERATING VOLTAGE | 40 v ~250V ~ / 50 Hz |
| 8. NO LOAD CURRENT | < = 4 mA |
| 9. DROPOUT VOLTAGE | < = 8.5V ~ |
| 10. SWITCHING FREQUENCY | 25 Hz |
| 11. LOAD CURRENT (MAXIMUM) | 500 mA ~ |
| 12. READINESS DELAY | 300 mS |

ORDERING CODE: TYPE

- | | |
|-------------------|-------------------------|
| PSIBL22ACFOCB02RS | AC / FRONT / NO / 500mA |
| PSIBL22ACFCCB02RS | AC / FRONT / NC / 500mA |
| PSIBL22ACTOCB02RS | AC / TOP / NO / 500mA |
| PSIBL22ACTCCB02RS | AC / TOP / NC / 500mA |

MECHANICAL DATA:

- | | |
|-----------------|--|
| 13. HOUSING | ABS ENCLOSURE
20mmX20mmX38mm |
| 14. MOUNTING | Dia. 4.2 mm PAIR OF
HOLES 13.5mm PCD
FOR WALL MOUNTING |
| 15. TERMINATION | Cu CABLE PVC INSULATED 2X0.5 Sq. mm |

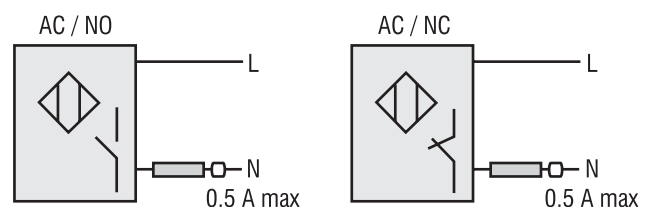


PROTECTION FEATURES:

- | | |
|-------------------|------|
| 16. ENVIRONMENTAL | IP67 |
|-------------------|------|

CONNECTION DETAILS:

- | | |
|-------|-----|
| BROWN | (~) |
| BLUE | (~) |



Recommended for the application subject to manufacturer's change time to time

Specifications are subject to change without notice.