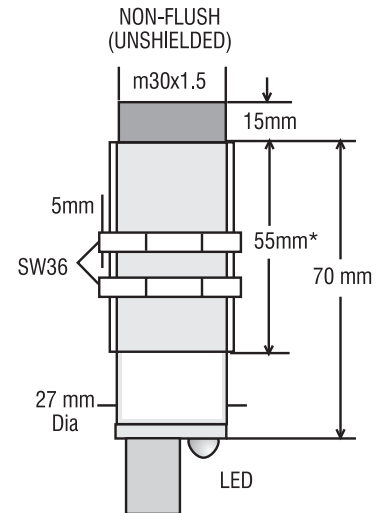


M30 DC CAPACITIVE PROXIMITY SWITCH / SENSOR

**10mm
NON FLUSH**

OPERATIONAL DATA:

1. INSTALLATION IN METAL	NON-FLUSH
2. SENSING DISTANCE with Pure Distilled Water	2mm-20mm
3. HYSTERESIS	10%
4. REPEATABILITY	<=5%
5. TEMPEFRATURE DRIFT	< 15%
6. AMB. TEMP. RANGE	0 DEG.C. TO 70 DEG.C.



ELECTRICAL DATA:

7. OPERATING VOLTAGE	10V TO 30 VDC
8. CURRENT CONSUMPTION	<10mA
9. DROPOUT VOLTAGE	<2V @ max load current
10. SWITCHING FREQUENCY	50Hz
11. LOAD CURRENT (max)	400mA

ORDERING CODE: TYPE

PSCBE30PBNOCB02RS	PNP/400mA/NO/NONFLUSH
PSCBE30PBNCCB02RS	PNP/ 400mA/ NC/NONFLUSH
PSCBE30NBNOCB02RS	NPN /400mA/NO/NONFLUSH
PSCBE30NBNCB02RS	NPN /400mA/NC/NONFLUSH

MECHANICAL DATA:

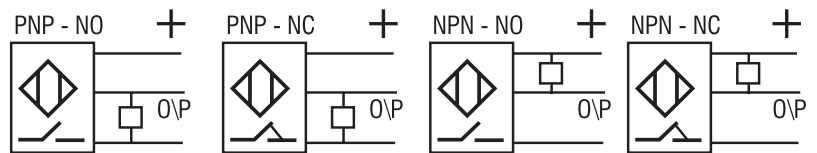
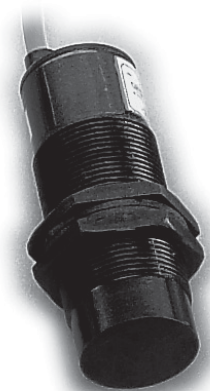
12. HOUSING	M30 X 1.5mm THREADED ABS PLASTIC BARREL
13. MOUNTING	30mm THRU HOLE FIXING BY M30 X1.5mm TAPPED PAIR OF NUTS
14. TERMINATION	Cu CABLE PVC INSULATED 3X0.75Sq.mm.

PROTECTION FEATURES:

15. ENVIRONMENTAL	IP67 (tested &certified by CMRI,Dhanbad)
16. POLARITY REVERSAL	YES
17. OUTPUT	AGAINST INDEFINITE SHORT CIRCUIT

CONNECTION DETAILS:

BROWN	+V
BLACK	OUTPUT
BLUE	0 V



Specifications are subject to change without notice.