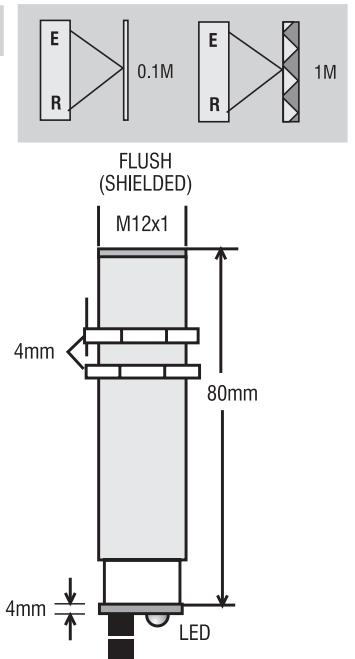


M12 REFLEX OPTICAL SENSORS / SWITCHES

OPERATIONAL DATA:

| | |
|---------------------|--|
| 1. FUNCTION | RETROREFLECTIVE REFLECTION DIFFUSED REFLECTION |
| 2. SENSING RANGE | 1M.....RETROREFLECTIVE MODE 0.1MDIFFUSION MODE |
| 3. OUTPUT | PNP/NPN NO OR NC |
| 4. INDICATION | LED FOR OUTPUT ON |
| 5. AMB. TEMP. RANGE | 0 DEG.C. TO 70 DEG.C. |



ELECTRICAL DATA:

| | |
|----------------------------|------------------------|
| 6. OPERATING VOLTAGE | 10 V TO 30 VDC |
| 7. CURRENT CONSUMPTION | <=50mA |
| 8. DROPOUT VOLTAGE | <2V @ max load current |
| 9. SWITCHING FREQUENCY | 100 Hz |
| 10. LOAD CURRENT (MAXIMUM) | 100mA |

ORDERING CODE: TYPE

PSPBB12PARXCB02RS PNP/200mA/REFLEX/NO OR NC
 PSPBB12NARXCB02RSNPN/200mA/REFLEX/NO OR NC

NO = Output On With Obstruction
 NC = Output On Without Obstruction

MECHANICAL DATA:

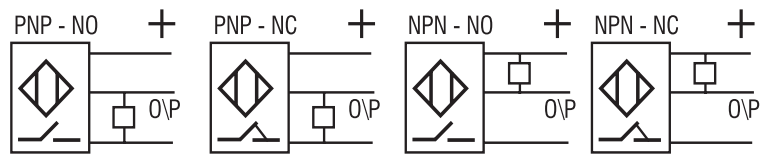
| | | |
|-----------------|--|--|
| 11. HOUSING | M12 X 1mm THREADED BRASS BARRELS Ni-CHROME PLATED | * Please contact factory for different barrel lengths. |
| 12. MOUNTING | Dia 12 mm THRU HOLE FIXING BY M12 x1 mm TAPPED PAIR OF NUTS | |
| 13. TERMINATION | Cu CABLE PVC INSULATED 3 X 0.34 Sq.mm | |

PROTECTION FEATURES:

| | |
|-----------------------|----------------------------------|
| 14. ENVIRONMENTAL | IP67 |
| 15. POLARITY REVERSAL | YES |
| 16. OUTPUT | AGAINST INDEFINITE SHORT CIRCUIT |

CONNECTION DETAILS:

| | NO | NC |
|-------|--------|--------|
| BROWN | +V | 0 V |
| BLACK | OUTPUT | OUTPUT |
| BLUE | 0 V | +V |



Specifications are subject to change without notice.