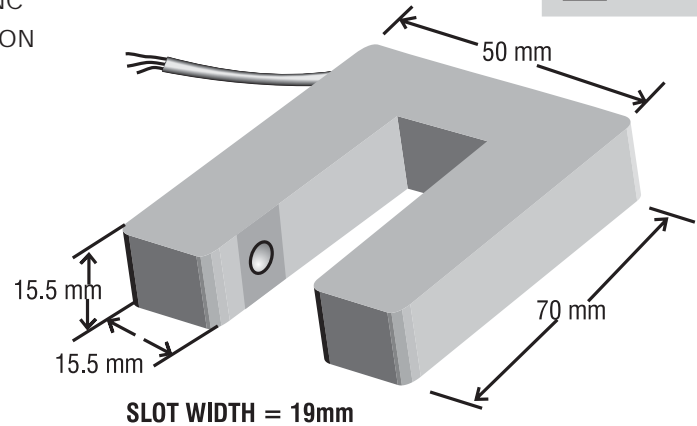
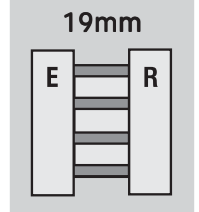


## SLOT TYPE OPTICAL SENSOR / SWITCH

### OPERATIONAL DATA:

- |                     |                   |
|---------------------|-------------------|
| 1. FUNCTION         | THROUGH BEAM TYPE |
| 2. SENSING RANGE    | 20mm              |
| 3. OUTPUT           | PNP/NPN, NO OR NC |
| 4. INDICATION       | LED FOR OUTPUT ON |
| 5. AMB. TEMP. RANGE | 0 °C. TO 70 °C.   |



### ELECTRICAL DATA:

- |                            |                                   |
|----------------------------|-----------------------------------|
| 6. OPERATING VOLTAGE       | 10 V TO 30 VDC                    |
| 7. CURRENT CONSUMPTION     | EMITTER < 15mA<br>RECEIVER < 40mA |
| 8. DROPOUT VOLTAGE         | < 2V @ max load current           |
| 9. SWITCHING FREQUENCY     | 100 Hz                            |
| 10. LOAD CURRENT (MAXIMUM) | 200mA                             |

### ORDERING CODE:

### TYPE

- |                   |                           |
|-------------------|---------------------------|
| PSPST20PATXCB02RS | PNP/200mA/THRU BEAM/NO-NC |
| PSPST20NATXCB02RS | NPN/200mA/THRU BEAM/NO-NC |

NO => Output On With Obstruction  
NC => Output On Without Obstruction

### MECHANICAL DATA:

- |                 |  |
|-----------------|--|
| 11. HOUSING     | ABS ENCLOSURE SIZE<br>70mm X 50mm X 15.5mm               |
| 12. MOUNTING    | Dia 4 mm TWO THRU HOLE, 20mm<br>APART FOR WALL MOUNTING. |
| 13. TERMINATION | Cu CABLE PVC INSULATED<br>3X0.34 Sq.mm.                  |

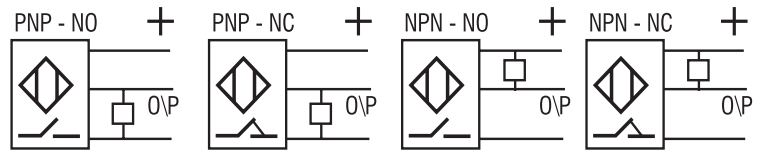
**\*Please contact factory for various models & sensing distance.**

### PROTECTION FEATURES:

- |                       |                                  |
|-----------------------|----------------------------------|
| 14. ENVIRONMENTAL     | <b>IP55</b>                      |
| 15. POLARITY REVERSAL | YES                              |
| 16. OUTPUT            | AGAINST INDEFINITE SHORT CIRCUIT |

### CONNECTION DETAILS:

	NO	NC
BROWN	+V	0 V
BLACK	OUTPUT	OUTPUT
BLUE	0 V	+ V



Specifications are subject to change without notice.