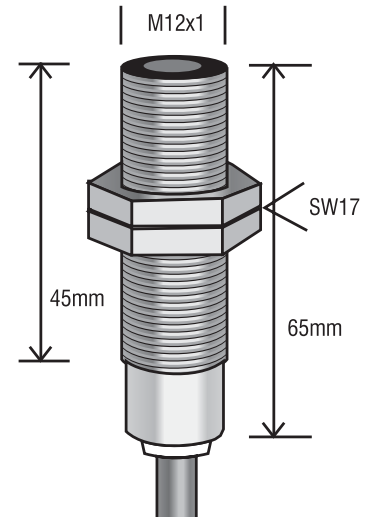


FIELD PLATE - MAGNETO RESTRICTIVE SENSOR

**<= 2mm
FLUSH**

OPERATIONAL DATA:

- | | |
|------------------------------|-------------|
| 1. MOUNTING IN METAL | FLUSH |
| 2. SENSING DISTANCE | <=2mm |
| 3. SWITCHING FREQUENCY RANGE | 0 - 25KHz. |
| 4. TEMPERATURE RANGE | -25...+75°C |
| 5. TEMPERATURE DRIFT | <10% |



ELECTRICAL DATA:

- | | |
|--------------------------|----------------------------|
| 7. OPERATING VOLTAGE | 10 V TO 30 VDC |
| 8. SUPPLY CURRENT | <25mA |
| 9. MAX SWITCHING CURRENT | <200mA |
| 10. VOLTAGE DROP | <=2V DC@ max. Load Current |

ORDERING CODE:

TYPE

- | | |
|-------------------|--------------------|
| PSMBB12PAFOCB02RS | PNP/NO/200mA/FLUSH |
| PSMBB12NAFOCB02RS | NPN/NO/200mA/FLUSH |

MECHANICAL DATA:

- | | |
|-------------------|---|
| 12. HOUSING | M 12 X 1mm THREADED BRASS BARREL Ni-CHROME PLATED |
| 13. MOUNTING | 12 mm THRU HOLE FIXING BY M12 X1mm TAPPED PAIR OF NUTS |
| 14. TERMINATION | Cu CABLE PVC INSULATED 3X0.34 Sq.mm |
| 15. AIR GAP | 2mm |
| 16. GEAR MATERIAL | FERROUS METAL |

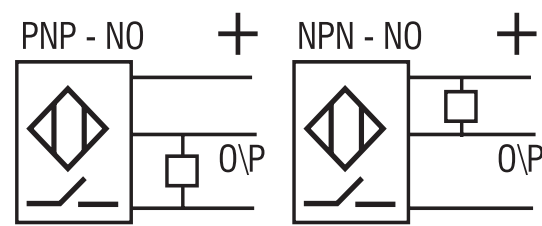
\$FOR DIFFERENT Barrel length or backside as per requirement, Pl. CONTACT FACTORY.

PROTECTION FEATURES:

- | | |
|-----------------------|----------------------------------|
| 17. ENVIRONMENTAL | IP67 |
| 18. POLARITY REVERSAL | YES |
| 19. OUTPUT | AGAINST INDEFINITE SHORT CIRCUIT |

CONNECTION DETAILS:

- | | |
|-------|--------|
| BROWN | +V |
| BLACK | OUTPUT |
| BLUE | 0 V |



Specifications are subject to change without notice.