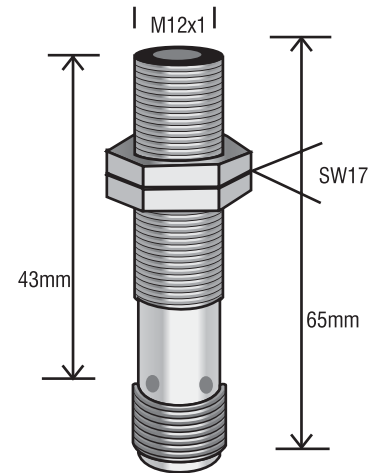


FIELD PLATE - MAGNETO RESTRICTIVE SENSOR (CONNECTOR TYPE)

**<= 2mm
FLUSH**

OPERATIONAL DATA:

- | | |
|------------------------------|-------------|
| 1. MOUNTING IN METAL | FLUSH |
| 2. SENSING DISTANCE | <=2mm |
| 3. SWITCHING FREQUENCY RANGE | 0 - 25KHz. |
| 4. TEMPERATURE RANGE | -25...+75°C |
| 5. TEMPERATURE DRIFT | <10% |



LED 4 @ 90 DEG

ELECTRICAL DATA:

- | | |
|--------------------------|----------------------------|
| 7. OPERATING VOLTAGE | 10 V TO 30 VDC |
| 8. SUPPLY CURRENT | <25 mA |
| 9. MAX SWITCHING CURRENT | <200mA |
| 10. VOLTAGE DROP | <=2V DC @max. load current |

ORDERING CODE: TYPE

- | | |
|-------------------|--------------------|
| PSMBB12PAFOCN12RS | PNP/NO/200mA/FLUSH |
| PSMBB12NAFOCN12RS | NPN/NO/200mA/FLUSH |

MECHANICAL DATA:

- | | |
|-------------------|-----------------------------------------------------------|
| 12. HOUSING | M 12 X 1mm THREADED BRASS
BARREL NI-CHROME PLATED |
| 13. MOUNTING | 12 mm THRU HOLE FIXING BY
M12 X1mm TAPPED PAIR OF NUTS |
| 14. TERMINATION | M12 PLUG CONNECTOR |
| 15. AIR GAP | 2mm |
| 16. GEAR MATERIAL | FERROUS METAL |

**\$ LED along barrel length or
backside as per requirement**

***please contact factory for
different b**



PROTECTION FEATURES:

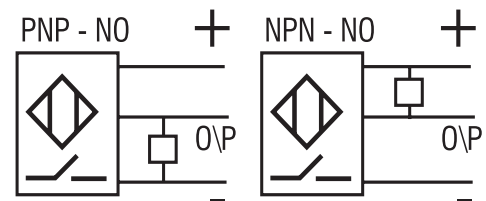
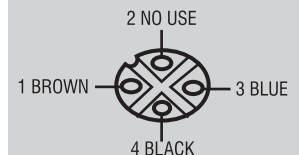
- | | |
|-----------------------|----------------------------------|
| 17. ENVIRONMENTAL | IP67 |
| 18. POLARITY REVERSAL | YES |
| 19. OUTPUT | AGAINST INDEFINITE SHORT CIRCUIT |

CONNECTION DETAILS:

PIN NO OF MALE CONNECTOR

- | PIN NO OF MALE
CONNECTOR | COLOUR
CODE |
|-----------------------------|----------------|
| 1 (+Ve) | BROWN |
| 2 (N.U) | NOT USED |
| 3 (-Ve) | BLUE |
| 4 (OUTPUT) | BLACK |

PIN - LAYOUT



Specifications are subject to change without notice.