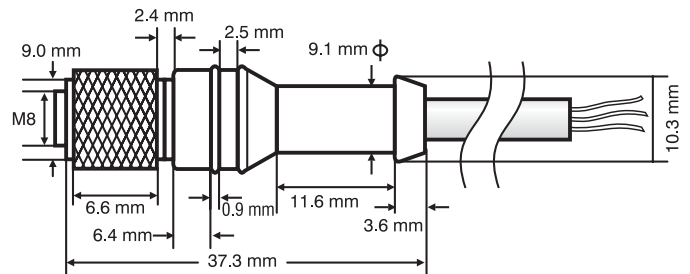
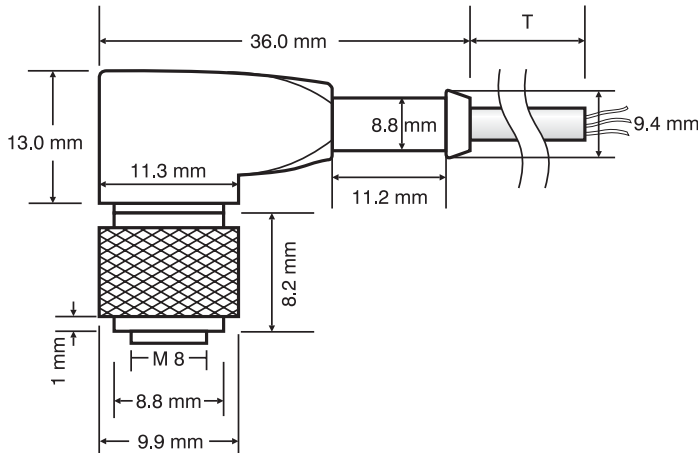


M8 FEMALE CONNECTOR(SOCKET) & CABLE ASSEMBLY (MOULDED) FOR SENSOR

RIGHT ANGLE CABLE SOCKET

STRAIGHT CABLE SOCKET



* Cable socket, with integrity moulded Leads, self-securing lock nut.

TECHNICAL DETAILS

- | | |
|-----------------------------|--|
| 1. Operating Voltage: | 10..... 30 V D.C. / 240 V A.C./ D.C. |
| 2. Operating Current | 3A |
| 3. Protection Class | IP68 |
| 4. Temperature Range | -25° C to +90° C |
| 5. Grip colour | Blue / Yellow / Orange / Transparent |
| 6. Cable Specifications | 3 Core, 0.25 Sq.mm (14/38), Highly Flexible Cable |
| • Conductors | (Per Core) 14 strands of 0.15 mm Dia (1438) Annealed Bare Copper Wire, Area (0.25 Sq.mm) |
| • Insulation (Per Core) | PVC O.D., 1.25 mm, Nominal |
| • Electrical Insulation | > = 200 M Ohms at 1 KV DC (Tested for 30 Sec.) |
| • Sheath | TPR (Oil & Grease Resistant), Highly Flexible, O.D.4.4 + / -0.1 mm |
| • Current Rating (Per Core) | 3 Amps |
| • Voltage Rating (Per Core) | 600 Volts |
| • Colour of the Jacket | Grey |
| 7. Cable Termination | Tinned |
| 8. Contact Material | Cu Zn / Sn |
| 9. Switch Function | NPN / PNP |

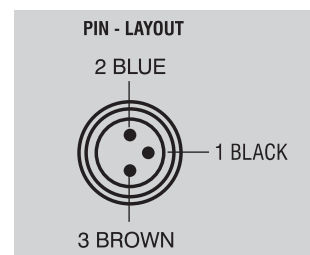
All the combinations are also available with shielded type.
For more details, please contact factory.
Conductor colour identifications complies with European Standards.

ORDERING CODE:

PART NO.:	DETAILS
PSCNFR08RT03M02C3NSDXU	M8/FEMALE/RIGHT ANGLE/WITH 2M CABLE
PSCNFR08RT03M03C3NSDXU	M8/FEMALE/RIGHT ANGLE/WITH 3M CABLE
PSCNFR08ST03M02C3NSDXU	M8/FEMALE/STRAIGHT/WITH 2M CABLE
PSCNFR08ST03M03C3NSDXU	M8/FEMALE/STRAIGHT/WITH 3M CABLE

CONNECTION DETAILS:

CABLE COLOUR	PIN NO.
BLACK	1
BLUE	2
BROWN	3



Specifications are subject to change without notice.