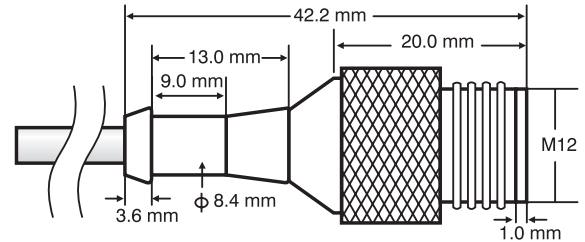
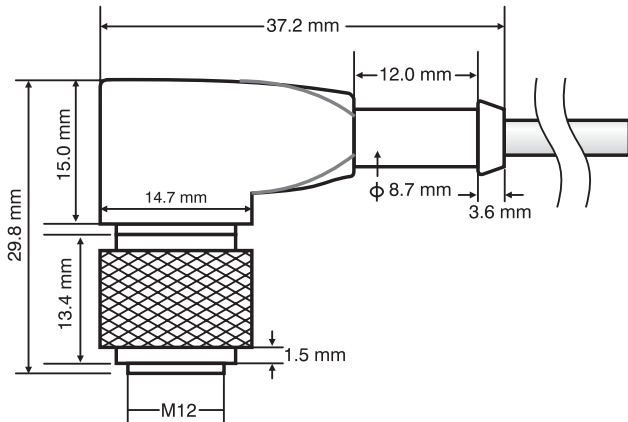


# M12 MALE & FEMALE CONNECTOR(SOCKET) & CABLE ASSEMBLY (MOULDED)

## RIGHT ANGLE FEMALE CABLE SOCKET

## STRAIGHT MALE CABLE SOCKET



\* Cable socket, with integrity moulded Leads, self-securing lock nut.

### TECHNICAL DETAILS

- |                             |  |
|-----------------------------|--|
| 1. Operating Voltage:       | 10..... 30 V D.C. / 240 V A.C./ D.C.   |
| 2. Operating Current        | 3A   |
| 3. Protection Class         | IP68   |
| 4. Temperature Range        | -25° C to +90° C   |
| 5. Grip colour              | Blue / Yellow / Orange / Transparent   |
| 6. Cable Specifications     | 3 Core / 4 Core, 0.25 Sq.mm (14/38), Highly Flexible Cable                               |
| • Conductors                | (Per Core) 14 strands of 0.15 mm Dia (1438) Annealed Bare Copper Wire, Area (0.25 Sq.mm) |
| • Insulation (Per Core)     | PVC O.D., 1.25 mm, Nominal   |
| • Electrical Insulation     | > = 200 M Ohms at 1 KV DC (Tested for 30 Sec.)   |
| • Sheath                    | TPR (Oil & Grease Resistant), Highly Flexible, O.D.4.4 + / -0.1 mm                       |
| • Current Rating (Per Core) | 3 Amps   |
| • Voltage Rating (Per Core) | 600 Volts  |
| • Colour of the Jacket      | Grey   |
| 7. Contact Material         | Cu Zn / Sn   |
| 8. Switch Function          | NPN / PNP  |

# All the combinations are also available with shielded type & 4 core.  
 # For more details, please contact factory.  
 # Conductor colour identifications complies with European Standards.

### ORDERING CODE:

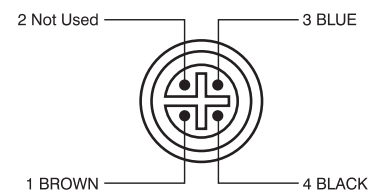
#### PART NO.:

#### DETAILS

PSCNDR12RS04M02C3NSDXU M12/MALE (STRAIGHT)-FEMALE(RIGHT ANGLE)/WITH 2M CABLE

### CONNECTION DETAILS:

PIN NO.	
1	+V
2	NC
3	-V
4	NO



Specifications are subject to change without notice.