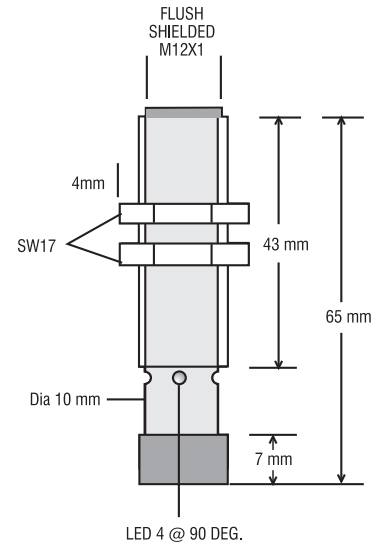


M12DC IND. CONNECTOR TYPE PROXIMITY SWITCH/SENSOR FOR CARDING MACHINE

**2mm
FLUSH**

OPERATIONAL DATA:

1. MOUNTING IN METAL	FLUSH
2. SENSING DISTANCE with Fe/ST37 -12mmX12mmX1mm	2mm(FLUSH)
3. HYSTERESIS	3% TO 15%
4. REPEATABILITY	0.01mm
5. TEMPERATURE DRIFT	<10%
6. AMB. TEMP. RANGE	0 DEG.C. TO 70 DEG.C.



ELECTRICAL DATA:

OUR PART NO :

7. OPERATING VOLTAGE	10 V TO 30 VDC	PSIBB12PAFOCN12RS
8. CURRENT CONSUMPTION	<20 mA	
9. DROPOUT VOLTAGE	<1V @ max load current	
10. SWITCHING FREQUENCY	1.5 KHz	
11. LOAD CURRENT (MAXIMUM)	200mA	

MECHANICAL DATA:

12. HOUSING	M12 X 1mm THREADED BRASS BARREL Ni-CHROME PLATED
13. MOUNTING	12 mm THRU HOLE FIXING BY M12 X1mm TAPPED PAIR OF NUTS
14. TERMINATION	M12 Plug Connector (Four Pins)

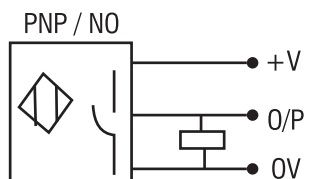
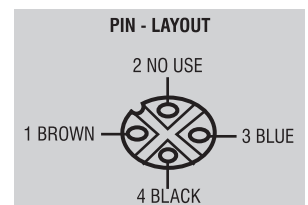
PROTECTION FEATURES:

15. ENVIRONMENTAL	IP67(tested & certified by CMRI, Dhanbad.)
16. POLARITY REVERSAL	YES
17. OUTPUT	AGAINST INDEFINITE SHORT CIRCUIT

CONNECTION DETAILS:

PIN NO OF MALE CONNECTOR

PIN NO OF MALE CONNECTOR	COLOUR CODE
1 (+Ve)	BROWN
2 (N.U)	NOT USED
3 (-Ve)	BLUE
4 (OUTPUT)	BLACK



Recommended for the application subject to manufacturer's change time to time.

**Please contact factory for different barrel lengths.

Specifications are subject to change without notice.