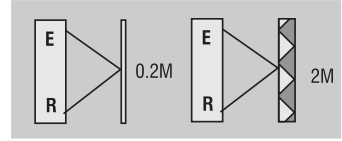
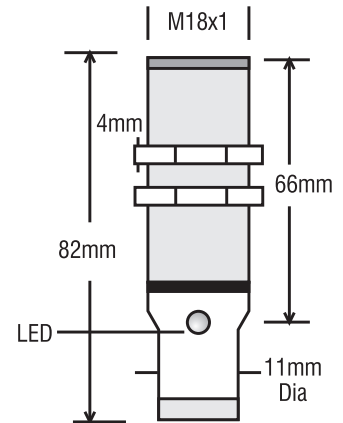


M18 REFLEX OPTICAL SENSOR / SWITCH (CONNECTOR TYPE) FOR CARDING MACHINE



OPERATIONAL DATA:

1. FUNCTION	RETROREFLECTIVE REFLECTION DIFFUSED REFLECTION
2. SENSING RANGE	2M.....RETROREFLECTIVE MODE 0.2M.....DIFFUSION MODE
3. OUTPUT	PNP/NPN NO OR NC
4. INDICATION	LED FOR OUTPUT ON
5. AMB. TEMP. RANGE	0 DEG.C. TO 70 DEG.C.



ELECTRICAL DATA:

6. OPERATING VOLTAGE	10 V TO 30 VDC
7. CURRENT CONSUMPTION	50mA
8. DROPOUT VOLTAGE	<2V @ max load current
9. SWITCHING FREQUENCY	100 Hz
10. LOAD CURRENT (MAXIMUM)	200mA

ORDERING CODE:

PSPBB18PARXCN12RS

NO => Output On	With Obstruction
NC => Output On	Without Obstruction

MECHANICAL DATA:

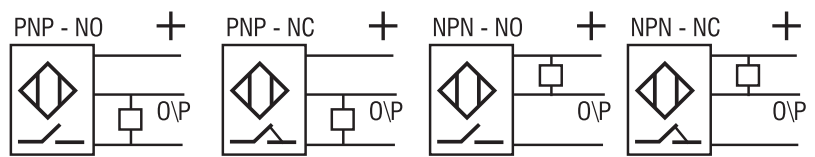
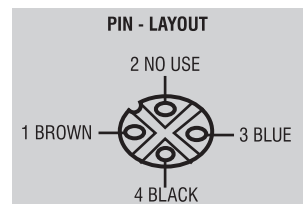
11. HOUSING	M18 X1mm THREADED BRASS* Please contact factory for different barrel lenth.
12. MOUNTING	BARRELS Ni-CHROME PLATED # Recomanded for the application subject Dia 18 mm THRU HOLE FIXING to manufacturer's change time to time BY M18 x1 mm TAPPED PAIR OF NUTS
13. TERMINATION	M12 PLUG CONNECTOR

PROTECTION FEATURES:

14. ENVIRONMENTAL	IP67
15. POLARITY REVERSAL	YES
16. OUTPUT	AGAINST INDEFINITE SHORT CIRCUIT

CONNECTION DETAILS:

PIN NO OF MALE CONNECTOR	COLOUR CODE FOR MATCHING ASSEMBLY(SOCKET)
1 (+Ve)	BROWN
2 (N.U)	NOT USED
3 (-Ve)	BLUE
4 (OUTPUT)	BLACK



Specifications are subject to change without notice.