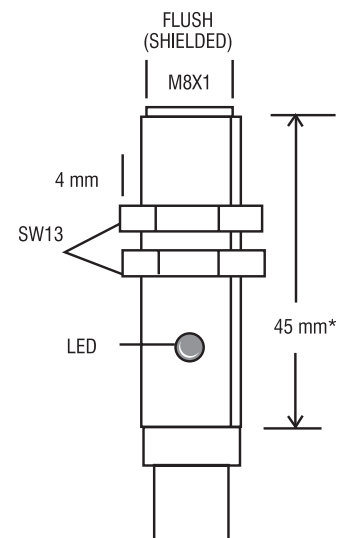


M8 LIMIT SWITCH FOR REITER DRAW FRAME SB2, OPEN END RU14 & R1

**1.5
mm**

OPERATIONAL DATA:

1. MOUNTING IN METAL	FLUSH
2. SWITCHING DISTANCE WITH Fe-ST37 PLATE SIZE- 8mm X 8mm X 1mm	1.5mm
3. HYSTERESIS	3% TO 15%
4. REPEATABILITY	0.01mm
5. TEMPERATURE DRIFT	<10%
6. AMB. TEMP.RANGE	0 DEG.C. TO 70 DEG.C.



ELECTRICAL DATA:

7. OPERATING VOLTAGE	10 V TO 30 VDC
8. CURRENT CONSUMPTION	<20mA
9. DROPOUT VOLTAGE	<1V @ max load current
10. SWITCHING FREQUENCY	3 KHz
11. LOAD CURRENT (max)	200mA

OUR PART NO : Eqv. to REITER PART NO:

PSIBB08PAFOCB03RS 0151-905 #

MECHANICAL DATA:

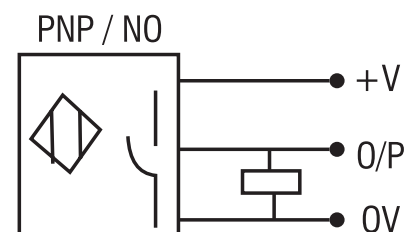
12. HOUSING	M8X1mm THREADED BRASS BARREL Ni-CHROME PLATED
13. MOUNTING	8mm THRU HOLE FIXING BY M8X1mm TAPPED PAIR OF NUTS
14. TERMINATION	Cu CABLE PVC INSULATED 3X0.34 Sq.mm.

PROTECTION FEATURES:

15. ENVIRONMENTAL	IP67 (tested & certified by CMRI, Dhanbad.)
16. POLARITY REVERSAL	YES
17. OUTPUT	AGAINST INDEFINITE SHORT CIRCUIT

CONNECTION DETAILS:

BROWN	+V
BLACK	OUTPUT
BLUE	0V



Recommended for the application subject to manufacturer's change time to time.

**Please contact factory for different barrel lengths.

Specifications are subject to change without notice.