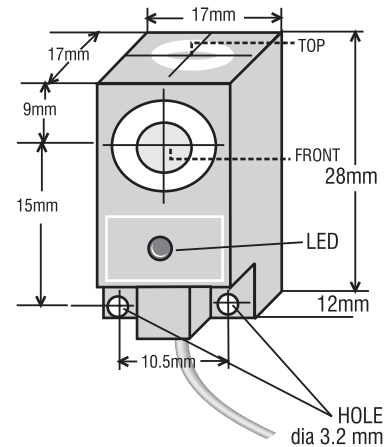


18 BLOCK TYPE DC INDUCTIVE PROXIMITY SWITCH/SENSOR (2 WIRE) TOYODA RING FRAME RX 240

5mm SHIELDED

OPERATIONAL DATA

- | | |
|----------------------|----------------------|
| 1. MOUNTING IN METAL | SHIELDED |
| 2. SENSING DISTANCE | 5 mm (SHIELDED) |
| With Fe/ST - | |
| 18mmX18mmX1mm | |
| 3. HYSTERESIS | 3 % TO 15 % |
| 4. REPEATABILITY | 0.01 mm |
| 5. TEMPERATURE DRIFT | <10% |
| 6. AMB. TEMP. RANGE | 0 DEG. TO 70 DEG. C. |



ELECTRICAL DATA:

- | | |
|---------------------------|-------------------------|
| 7. OPERATING VOLTAGE | 10 V TO 30 VDC |
| 8. OFF STATE CURRENT | < 1.5 mA |
| 9. DROPOUT VOLTAGE | < 7V @ max load current |
| 10. SWITCHING FREQUENCY | 800 Hz |
| 11. LOAD CURRENT(MAXIMUM) | 150 mA |

ORDERING CODE: Eqv. to Toyoda Machine

PSIBL18TWFOCB02RS DC/Front/NO/100mA

MECHANICAL DATA:

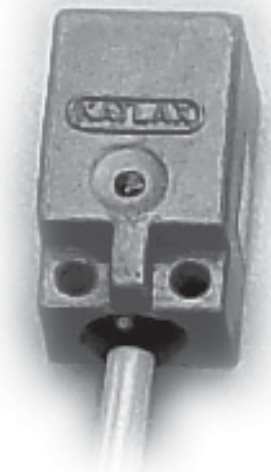
- | | |
|--------------|---|
| 12. HOUSING | ABS ENCLOSURE
17mmX17mmX28mm |
| 13. MOUNTING | Dia. 3.2 mm PAIR OF HOLES
10.5mm PCD FOR WALL MOUNTING |

PROTECTION FEATURES:

- | | |
|-----------------------|---|
| 14. TERMINATION | Cu CABLE PVC INSULATED
2 X 0.34 Sq. mm |
| 15. ENVIRONMENTAL | IP67 |
| 16. POLARITY REVERSAL | YES |

CONNECTION DETAILS:

- | | |
|-------|-----|
| BROWN | + V |
| BLUE | 0 V |



Recommended for the application subject to manufacturer's change time to time

** please contact factory for different barrel lengths

Specifications are subject to change without notice.

