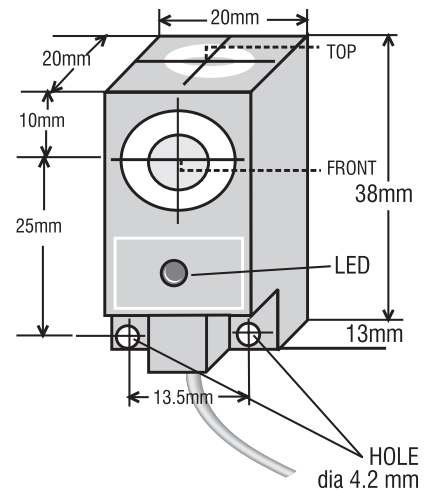


## 22 BLOCK TYPE DC INDUCTIVE PROXIMITY SWITCH/SENSOR (2 WIRE) FOR TOYODA RING FRAME RX 240

8mm SHIELDED

### OPERATIONAL DATA

- |                      |                                |
|----------------------|--------------------------------|
| 1. MOUNTING IN METAL | SHIELDED                       |
| 2. SENSING DISTANCE  | 8 mm (SHIELDED)                |
|                      | With Fe/ST - 22mm X 22mm X 1mm |
| 3. HYSTERESIS        | 3 % TO 15 %                    |
| 4. REPEATABILITY     | 0.01 mm                        |
| 5. TEMPERATURE DRIFT | <10%                           |
| 6. AMB. TEMP. RANGE  | 0 DEG. TO 70 DEG. C.           |



### ELECTRICAL DATA:

- |                           |                        |
|---------------------------|------------------------|
| 7. OPERATING VOLTAGE      | 10 V TO 30 VDC         |
| 8. OFF STATE CURRENT      | < 1.5 mA               |
| 9. DROPOUT VOLTAGE        | <7V @ max load current |
| 10. SWITCHING FREQUENCY   | 600 Hz                 |
| 11. LOAD CURRENT(MAXIMUM) | 150 mA                 |

### ORDERING CODE: Eqv. to Toyoda Machine

PSIBL22TWFOCB02RS DC/Front/NO/100mA

### MECHANICAL DATA:

- |                 |  |
|-----------------|--|
| 12. HOUSING     | ABS ENCLOSURE<br>20mmX20mmX38mm                              |
| 13. MOUNTING    | Dia. 4.2 mm PAIR OF<br>HOLES 13.5mm PCD<br>FOR WALL MOUNTING |
| 14. TERMINATION | Cu CABLE PVC INSULATED 3X0.34 Sq. mm                         |

### PROTECTION FEATURES:

- |                       |      |
|-----------------------|------|
| 15. ENVIRONMENTAL     | IP67 |
| 16. POLARITY REVERSAL | YES  |

### CONNECTION DETAILS:

- |       |     |
|-------|-----|
| BROWN | + V |
| BLUE  | 0 V |

# Recommended for the application subject to manufacturer's change time to time

\*\* please contact factory for different barrel lengths

Specifications are subject to change without notice.

