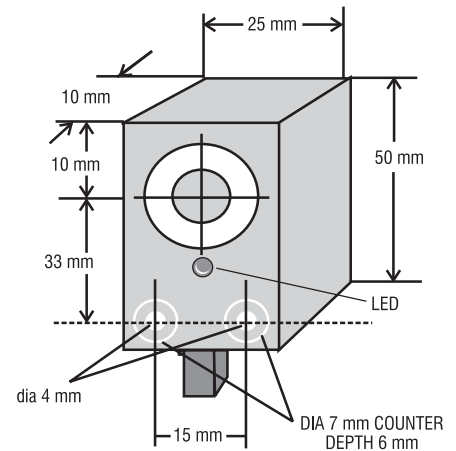


SPINDLE INITIATOR FOR SCHLAFHORTS WINDING MACHINE

**5mm
SHIELDED**

OPERATIONAL DATA:

1. MOUNTING IN METAL	SHIELDED
2. SENSING DISTANCE with Fe-ST37 PLATE SIZE 18mm X 18mm X 1 mm	5mm
3. HYSTERESIS	3% TO 15%
4. REPEATABILITY	0.01mm
5. TEMPRATURE DRIFT	<10%
6. AMB. TEMP. RANGE	0 DEG.C. TO 70 DEG.C.



ELECTRICAL DATA:

7. OPERATING VOLTAGE	10V TO 30 VDC
8. CURRENT CONSUMPTION	<20mA
9. DROPOUT VOLTAGE	<1V @ max load current
10. SWITCHING FREQUENCY	1 KHz
11. LOAD CURRENT (MAXIMUM)	200 mA

ORDERING CODE

Eqv. to SCHLAFHORTS PART NO:

PSIFT18PAFOCB03RS	No.1	8.85910027#
	No.2	8.85910028#
PSIFT18NAFOCB03RS	No.1	8.85910012#
	No.2	8.85910016#
	No.3	8.85910030#
	No.4	8.85910032#

MECHANICAL DATA:

12. HOUSING	ABS ENCLOSURE SIZE 50mm X 25mm X 10mm
13. MOUNTING	Dia 4mm PAIR OF HOLES 15mm APART FOR SCREW MOUNTING
14. TERMINATION	Cu CABLE PVC INSULATED 3X0.34 sq.mm with LUGS

PROTECTION FEATURES:

15. ENVIRONMENTAL	IP67
16. POLARITY REVERSAL	YES
17. OUTPUT	AGAINST INDEFINITE SHORT CIRCUIT

CONNECTION DETAILS:

BROWN	+V
BLACK	OUTPUT
BLUE	0 V



Recommended for the application subject to manufacturer's change time to time.

**Please contact factory for different barrel lengths.

Specifications are subject to change without notice.

