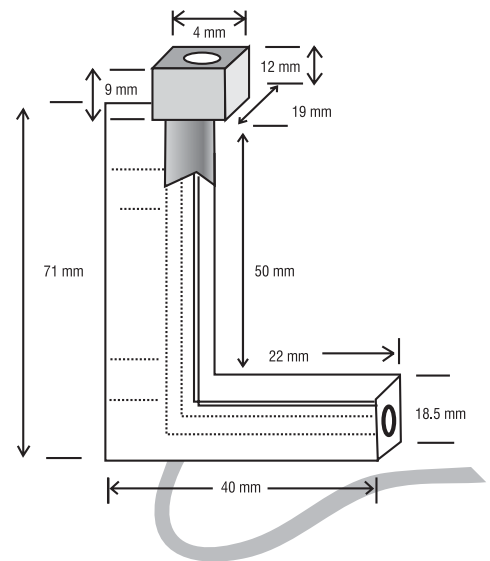


SENSING HEAD D1 (TSN SENSOR) FOR SULZER P.U. MODEL M.S BODY(L TYPE)

2mm SHIELDED

OPERATIONAL DATA:

- | | |
|---|-----------------------|
| 1. MOUNTING IN METAL | SHIELDED |
| 2. SWITCHING DISTANCE WITH Fe-ST37 PLATE SIZE 12mm X 12mm X 1mm | 2mm |
| 3. HYSTERESIS | 3% TO 15% |
| 4. REPEATABILITY | 0.01mm |
| 5. TEMPERATURE DRIFT | <10% |
| 6. AMB. TEMP. RANGE | 0 DEG.C. TO 70 DEG.C. |



ELECTRICAL DATA:

- | | |
|--|---|
| 7. NAMUR OPERATIONAL DATA
DIN19234/IS 5780-1980 GR.I,IIA,IIB,IIC | @ Vb=8.2V, @TEMP=20 DEG.C.SENSING DISTANCE = 2mm @ I = 1.8mA |
| 8. OPERATING VOLTAGE RANGE | 5V TO 15V ; R _L = 1 Kohm
12V TO 24V ; R _L = 2Kohm |
| 9. RIPPLE | <10% |
| 10. CURRENT CONSUMPTION | <=1mA..... ACTIVE FACE DAMPED
>=4mA..... ACTIVE FACE UNDAMPED
10mA..... MAXIMUM |
| 11. SWITCHING FREQUENCY | 2KHz. |

OUR PART NO.

Eqv. to SULZER PART NO:

PSISP2NAMUR

SULZER ZSD(#)

MECHANICAL DATA:

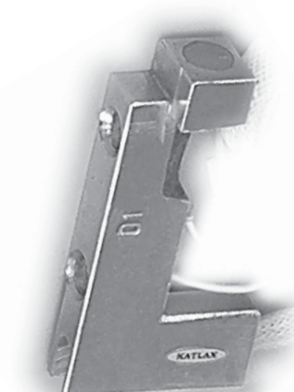
- | | |
|----------------------|------------------------------------|
| 12. HOUSING/MOUNTING | IN M.S BODY HOUSING |
| 13. TERMINATION | Cu CABLE PVC INSULATED 2X0.34Sq.mm |

PROTECTION FEATURES:

- | | |
|-------------------|-------------|
| 14. ENVIRONMENTAL | IP67 |
|-------------------|-------------|

CONNECTION DETAILS:

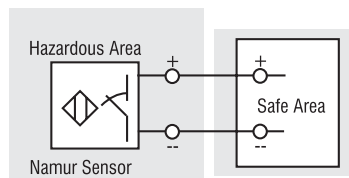
WHITE +VE
YELLOW -VE



Recommended for the application subject to manufacturer`s change time to time.

**Please contact factory for different barrel lengths.

Specifications are subject to change without notice.



Certified for Intrinsically Safe area application as per Indian Standard IS 5780-1980 Gr I,IIA, IIB, IIC, equivalent to DIN 19234 / EN 50020 by CMRI, Dhanbad.

