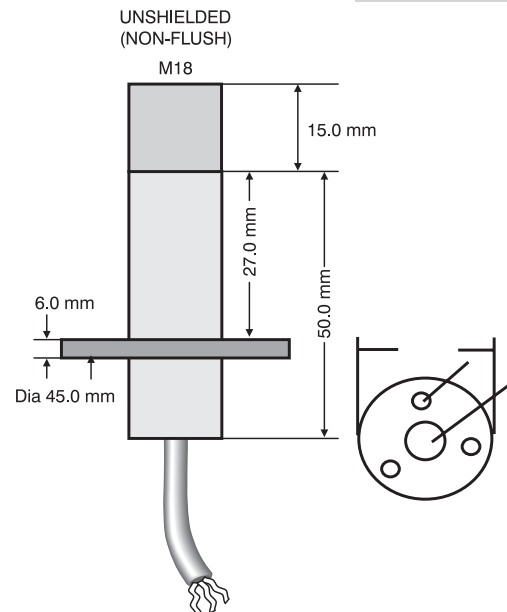


ANALOGUE OSCILLATOR (SENSOR) FOR SULZER RUTI WEAVING MACHINE

**3.....6
mm
NON FLUSH**

OPERATIONAL DATA:

1. INSTALLATION IN METAL	NON-FLUSH
2. SENSING DISTANCE RANGE	
With FeST37- 36mm x 36mm x 1mm Plate	3...6mm
3. LINEARITY	3%
4. HYSTERESIS	0.03 mm
5. REPEATABILITY	0.02mm
6. TEMPERATURE DRIFT	0.2% over operating range.
7. AMB. TEMP.RANGE	0 DEG.C. TO 70 DEG.C.



ELECTRICAL DATA:

8. OPERATING VOLTAGE	15 V TO 30 VDC
9. CURRENT CONSUMPTION	<8mA
10. OUTPUT	0...6V
11. FREQUENCY RESPONSE	1KHz
12. OUTPUT TYPE	ANALOGUE
14. LOAD RESISTANCE	0.....500 Ohms

ORDERING CODE

Eqv. to SULZER PART NO:

PSIBB18ANNVCB03RS	PS/PU/P-7100 #
	PS930-802-076 #
	PS930-802-077 #

MECHANICAL DATA:

14. HOUSING	M18X1mm THREADED BRASS BARREL NI-CHROME PLATED
15. MOUNTING	12mm THRU' HOLE FIXING BY M12X1mm TAPPED PAIR OF NUTS.
16. TERMINATION	Cu CABLE PVC INSULATED 3X0.34 Sq.mm.

PROTECTION FEATURES:

17. ENVIRONMENTAL	IP67
18. POLARITY REVERSAL	YES

CONNECTION DETAILS:

BROWN	(+)
BLACK	O/P ANALOGUE
BLUE	(-)



Recommended for the application subject to manufacturer's change time to time.

**Please contact factory for different barrel lengths.

Specifications are subject to change without notice.