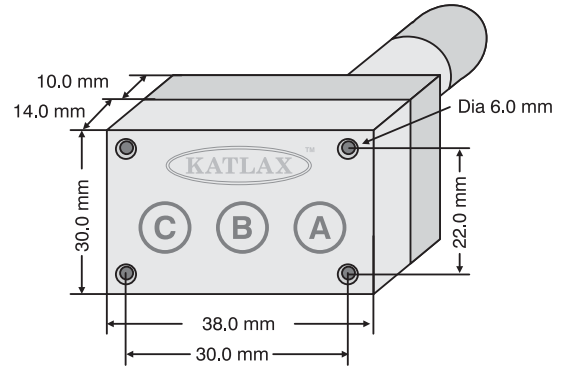


INDUCTIVE CODE READER 3 HEAD (ANGLE SENSOR)

**2mm
SHIELDED**

OPERATIONAL DATA

- | | |
|----------------------------|----------------------|
| 1. MOUNTING IN METAL | SHIELDED |
| 2. SENSING DISTANCE | 2mm |
| With Fe/ST - 10mmX10mmX1mm | |
| 3. HYSTERESIS | 1% TO 20 % |
| 4. AMB. TEMP. RANGE | 0 DEG. TO 60 DEG. C. |

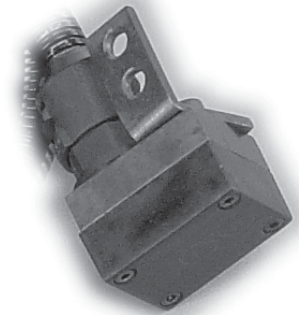


ELECTRICAL DATA:

- | | |
|----------------------------|---|
| 5. NAMUR OPERATIONAL DATA | @ Vb = 8.2 V,
@ TEMP = 20 DEG. C. |
| | DIN 19324/ IS 5780 - 1980
Gr. I, IIA, IIB, IIC |
| 6. OPERATING VOLTAGE RANGE | 5V TO 15V ; R _L = 1Kohm
12V TO 24V ; R _L = 2 Kohm |
| 7. RIPPLE | < 10% |
| 8. CURRENT CONSUMPTION | <= 1.1 mAACTIVE FACE DAMPED
>= 10 mA..... ACTIVE FACE UNDAMPED
20 mA..... MAXIMUM |
| 9. SWITCHING FREQUENCY | 2 KHz |

ORDERING CODE: TYPE

PSISP08NM3N 3 HEADS/FLUSH/2mm



MECHANICAL DATA:

- | | |
|-----------------|---|
| 10. HOUSING | ENGINEERING PLASTIC BODY Size:-30mmX31mmX14mm |
| 11. MOUNTING | Dia. 6mm FOUR THRU HOLES FOR WALL MOUNTING |
| 12. TERMINATION | Cu CABLE PVC INSULATED 4 X 0.34 Sq. mm |

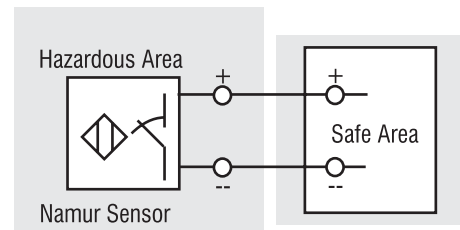
PROTECTION FEATURES:

- | | |
|-------------------|------|
| 13. ENVIRONMENTAL | IP67 |
|-------------------|------|

CONNECTION DETAILS:

- | | |
|--------|------|
| WHITE | + Ve |
| BLUE | A |
| ORANGE | B |
| GREY | C |

Certified for Intrinsically Safe area application as per Indian Standard IS 5780-1980 Gr I, IIA, IIB, IIC, equivalent to DIN 19234 / EN 50020 by CMRI, Dhanbad.



Specifications are subject to change without notice.