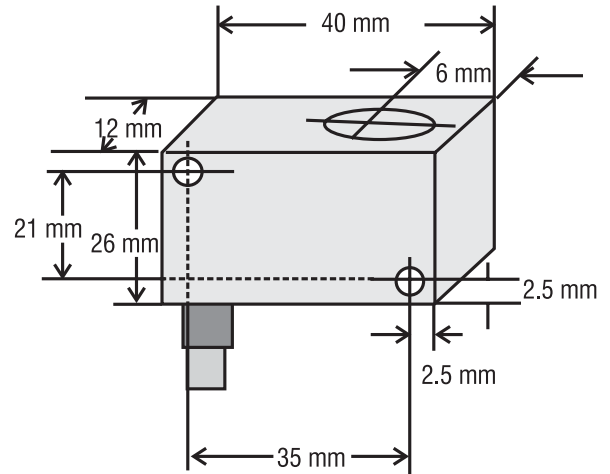


12FLAT TYPE SENSOR FOR PICANOL AIR JET LOOM PAT A & W

**4mm
UNSHIELDED**

OPERATIONAL DATA:

- | | |
|---|-----------------------|
| 1. INSTALLATION IN METAL | UNSHIELDED |
| 2. SENSING DISTANCE
WITH Fe ST37 -
12 mm x 12 mm x 1 mm | 4mm (NON-FLUSH) |
| 3. HYSTERESIS | 3% TO 15% |
| 4. REPEATABILITY | 0.01mm |
| 5. TEMPERATURE DRIFT | <10% |
| 6. AMB. TEMP. RANGE | 0 DEG.C. TO 70 DEG.C. |

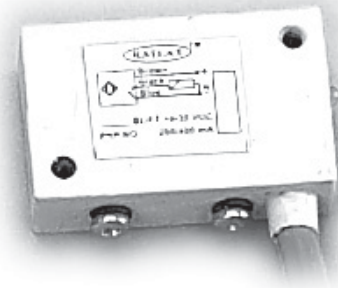


ELECTRICAL DATA:

- | | |
|---|--|
| 7. NAMUR OPERATIONAL DATA
DIN19234/ IS 5780-1980
GR.I,IIA, IIB, IIC | @ Vb=8.2V, @ TEMP=20 DEG.C.
Sensing Distance =
5mm F / 8mm NF @I= 1.8mA. |
| 8. OPERATING VOLTAGE RANGE | 5V TO 15V ; RL= 1 Kohm.
12V TO 24V ; RL =2Kohm. |
| 9. RIPPLE | <10% |
| 10. CURRENT CONSUMPTION | <= 1mA.....ACTIVE FACE DAMPED
>= 4mA.....ACTIVE FACE UNDAMPED
10mA.....MAXIMUM |
| 11. SWITCHING FREQUENCY | 800Hz |

OUR PART NO. Eqv. to PICANOL PART NO:

PSIFT12NRFOCB02RSS BE80128 #



MECHANICAL DATA:

- | | |
|-----------------|--------------------------------------|
| 12. HOUSING | PLASTIC BODY |
| 13. MOUNTING | THRU HOLE FIXING |
| 14. TERMINATION | Cu CABLE PVC INSULATED 2X0.34 Sq.mm. |

PROTECTION FEATURES:

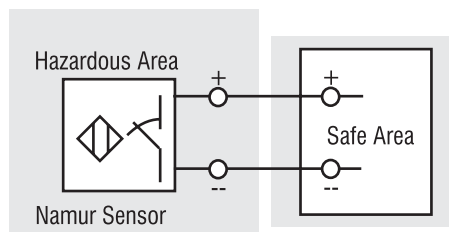
- | | |
|-------------------|-------------|
| 15. ENVIRONMENTAL | IP67 |
|-------------------|-------------|

CONNECTION DETAILS:

- | | |
|-------|------|
| BROWN | +Ve |
| BLUE | - Ve |

Recommended for the application subject to manufacturer's change time to time

Specifications are subject to change without notice.



Certified for Intrinsically Safe area application as per Indian Standard IS 5780-1980 Gr I,IIA, IIB, IIC, equivalent to DIN 19234 / EN 50020 by CMRI, Dhanbad.

