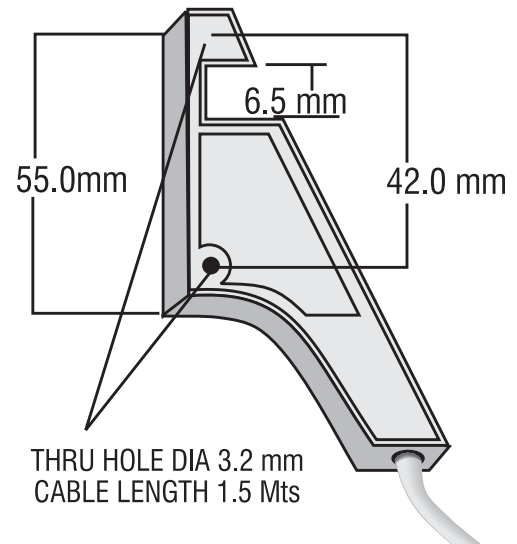


## FILLING DETECTOR FOR PICANOL AIR JET LOOM PAT A & W

6.5 mm  
Slot Width

### OPERATIONAL DATA:

1. MOUNTING	PBTB
2. SLOT WIDTH	6.5 mm
3. OPERATING TEMPERATURE	0° TO 55 °C
4. OPTICAL RESOLUTION	± 10 DEG



### ELECTRICAL DATA:

5. OPERATING VOLTAGE	12 V
6. OUTPUT VOLTAGE WITH PULLUP RESISTANCE:	5.6K Ohms
WITHOUT TARGET	0.8V ± 0.1V
WITH TARGET	12.0V ± 0.3V
7. OUTPUT	CURRENT SINKING
8. LOAD CURRENT (MAX.)	20mA @ > 750 OHMS

### ORDERING CODE Eqv. to PICANOL PART NO:

PSPSP01THRU	BE - 90860 #
PSPSP01THRU - S	BE - 83038 # (with amplifier)

### MECHANICAL DATA:

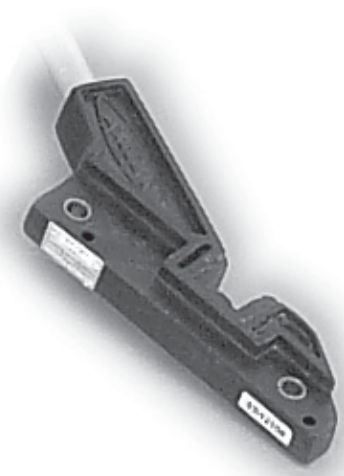
9. HOUSING	MATERIAL PBTB
10. MOUNTING	WITH PRE-MOULDED BRASS SPACERS
11. TERMINATION	Cu CABLE PVC INSULATED 3X0.34 Sq.mm.

### PROTECTION FEATURES:

12. ENVIRONMENTAL	<b>IP67</b>
13. POLARITY REVERSAL	NO
14. OUTPUT	NO SHORT CIRCUIT PROTECTION

### CONNECTION DETAILS:

BROWN :	+V
BLACK :	OUTPUT
BLUE :	0V



# Recommended for the application subject to manufacturer's change time to time.

\*\*Please contact factory for different barrel lengths.

Specifications are subject to change without notice.