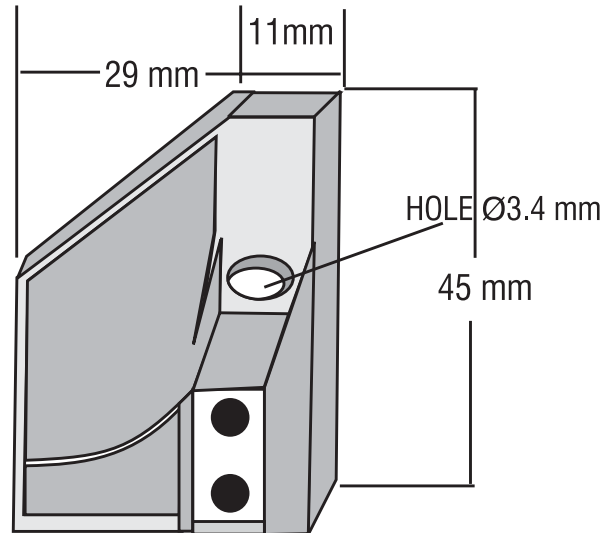


YARN WINDING SENSOR FOR PICANOL AIR JET LOOM

4 mm
Switching Distance

OPERATIONAL DATA:

1. MOUNTING IN PLASTIC
2. SWITCHING DISTANCE WITH WHITE PAPER 4mm
3. AMB. TEMP.RANGE 0 DEG.C. TO 70 DEG.C.



ELECTRICAL DATA:

4. OPERATING VOLTAGE 12 VDC
11. LOAD CURRENT (max) 20 mA

ORDERING CODE Eqv. to PICANOL PART NO:

PSPSP02RFLX BE - 5590 #

MECHANICAL DATA:

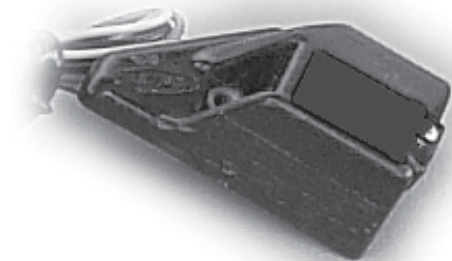
6. HOUSING ABS
7. MOUNTING SCREW NUT FITTED
8. TERMINATION Cu CABLE PVC INSULATED 4 X 0.34 Sq.mm.

PROTECTION FEATURES:

9. ENVIRONMENTAL IP65
10. POLARITY REVERSAL NO
11. OUTPUT NO

CONNECTION DETAILS:

- | | |
|----------|-----------------|
| RED : | DIODE +VE |
| BLACK : | DIODE --VE |
| YELLOW : | TRANSISTOR +VE |
| GREEN : | TRANSISTOR --VE |



Recommended for the application subject to manufacturer`s change time to time.

**Please contact factory for different barrel lengths.

Specifications are subject to change without notice.