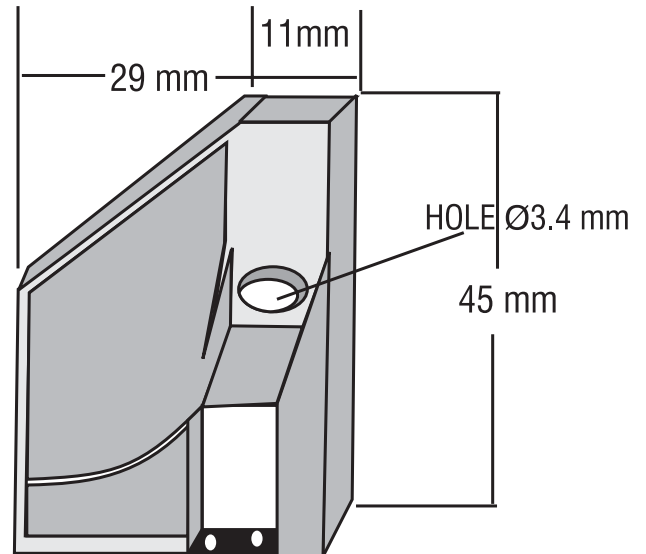


YARN RESERVE SENSOR FOR PICANOL AIR JET LOOM PAT A & W
**4mm
Switching Distance**
OPERATIONAL DATA:

- | | |
|--|-----------------------|
| 1. MOUNTING IN PLASTIC | |
| 2. SWITCHING DISTANCE WITH WHITE PAPER | 4mm |
| 3. AMB. TEMP.RANGE | 0 DEG.C. TO 70 DEG.C. |


ELECTRICAL DATA:

- | | |
|-----------------------|--------|
| 4. OPERATING VOLTAGE | 12 VDC |
| 5. LOAD CURRENT (max) | 20 mA |

ORDERING CODE Eqv. to PICANOL PART NO:

PSPSP01RFLX	BE - 55215 #
-------------	--------------

MECHANICAL DATA:

- | | |
|----------------|--|
| 6. HOUSING | ABS |
| 7. MOUNTING | SCREW NUT FITTED |
| 8. TERMINATION | Cu CABLE PVC INSULATED 4 X 0.34 Sq.mm. |

PROTECTION FEATURES:

- | | |
|-----------------------|------|
| 9. ENVIRONMENTAL | IP65 |
| 10. POLARITY REVERSAL | NO |
| 11. OUTPUT | NO |

CONNECTION DETAILS:

- | | |
|---------|-----------------|
| RED : | DIODE +VE |
| BLUE : | DIODE --VE |
| BLACK : | TRANSISTOR +VE |
| GREEN : | TRANSISTOR --VE |



Recommended for the application subject to manufacturer`s change time to time.

**Please contact factory for different barrel lengths.

Specifications are subject to change without notice.