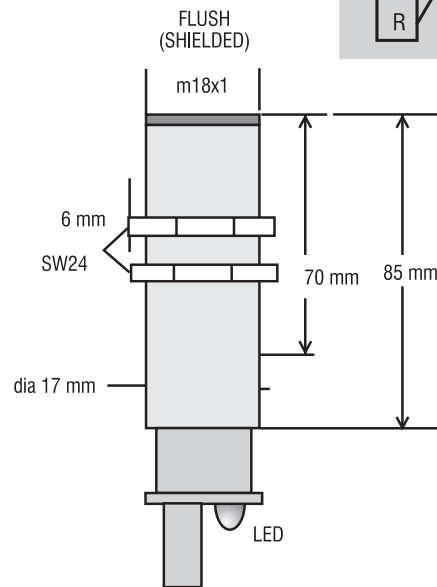


M18 DC REFLEX FOR TRUMAC DK-740 CARDING MACHINE

OPERATIONAL DATA :

- | | |
|---------------------|-------------------------|
| 1. FUNCTION | DIFFUSED REFLECTION |
| 2. SENSING RANGE | 0.2M.....DIFFUSION MODE |
| 3. OUTPUT | PNP/NO |
| 4. INDICATION | LED FOR OUTPUT ON |
| 5. AMB. TEMP. RANGE | 0 DEG.C. TO 70 DEG.C. |



ELECTRICAL DATA:

- | | |
|----------------------------|------------------------|
| 6. OPERATING VOLTAGE | 10 V TO 30 VDC |
| 7. CURRENT CONSUMPTION | 50mA |
| 8. DROPOUT VOLTAGE | <2V @ max load current |
| 9. SWITCHING FREQUENCY | 100Hz |
| 10. LOAD CURRENT (MAXIMUM) | 200mA |

OUR PART NO : Eqv. to TRUMAC PART NO:

PSPBB18PARXCV03RS 1360 8290 5040 #

MECHANICAL DATA:

- | | |
|-----------------|--|
| 11. HOUSING | M18X1mm THREADED BRASS
BARREL Ni-CHROME PLATED |
| 12. MOUNTING | 18mm THRU HOLE FIXING
BY M18X1mm TAPPED PAIR
OF NUTS |
| 13. TERMINATION | Cu CABLE PVC INSULATED 3X0.34 Sq.mm. |

PROTECTION FEATURES:

- | | |
|-----------------------|-----------------------------------|
| 14. ENVIRONMENTAL | IP67 |
| 15. POLARITY REVERSAL | YES |
| 16. OUTPUT | AGAINST INDEFINITE SHORT CIRCUIT. |

CONNECTION DETAILS:

- | | |
|-------|--------|
| BROWN | +V |
| BLACK | OUTPUT |
| BLUE | 0V |

Recommended for the application subject to manufacturer's change time to time.

**Please contact factory for different barrel lengths.

Specifications are subject to change without notice.

